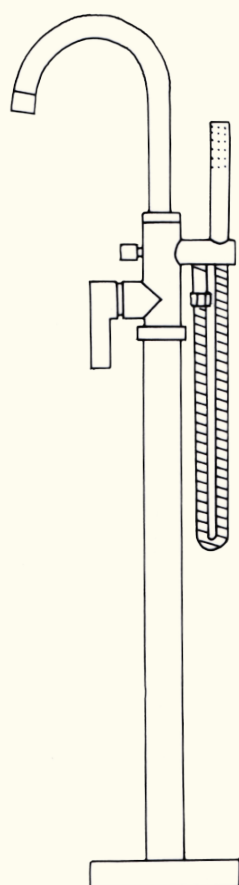


Free Standing Shower Mono Mixer

Product shown will vary depending on model



Important information:

To ensure this product is installed properly you must read and follow these guidelines.

The owner/user of this product must keep this information for future reference.

This product must be installed by a professional licensed contractor.

Only use a strap wrench or protected smooth jaw on any finished surface.

ORE

MADE IN ENGLAND

1 Important information

Contents:

1. *Important Information (p1-2)*
2. *Dimensions (p3)*
3. *Installation (p4-5)*
4. *Maintenance, Cleaning & Aftercare (p6-7)*

- Thank you for purchasing this Free Standing Shower Mono Mixer. To ensure you get the very best use from this product, please read this installation guide thoroughly and keep it in a safe place for future reference.

- **General Installation Requirement**

The installation must comply with regulations of the local water authority as contained in their bylaws. All of the taps in this range are single flow (the Hot and Cold water mix in the body) and therefore should be supplied with the Hot and Cold water at balanced pressures. If the taps are not supplied balanced pressures, then the mixer will not function correctly. It will also be necessary to fit non-return valves on both the Hot and Cold feeds. It is very important that all pipe work is flushed thoroughly after installation to avoid damaging the ceramic discs.

- **Minimum/maximum working pressure**

These taps are suitable for high pressure installations. They are fitted with a ceramic disc headwork which provides a smooth movement. The minimum working pressure is 2 bar and the maximum working pressure is 5 bar. *If the mains pressure is over 5 bar, a pressure reducing valve should be fitted.*

- **Preparations and Bylaw requirement**

These taps are single flow so the Hot and Cold water mix in the body. Water Bylaws require that where Hot water is supplied from the tank and Cold from the mains, non-return valves are fitted on both Hot and Cold pipes as close as possible to the tap. *These are not supplied.*

ORE

MADE IN ENGLAND

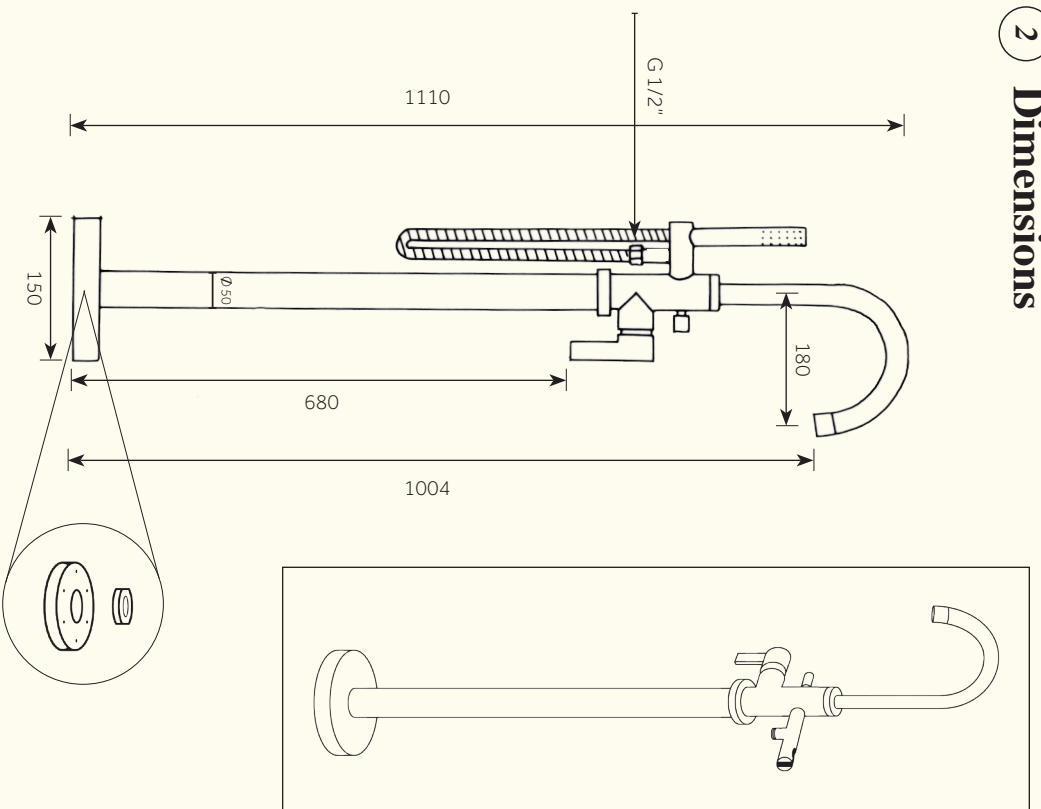
Where combination boilers are fitted, it is only necessary to shut off the incoming mains and turn the boiler off, and non-return valves are not required.

● **Warning**

Before installing the new mixer, it is essential that you thoroughly flush through the supply pipes in order to remove any remaining swarf, solder or other impurities. Failure to carry out this simple procedure could cause problems or damage to the working of the mixer. These instructions are for your guidance; you must exercise due care at all times.

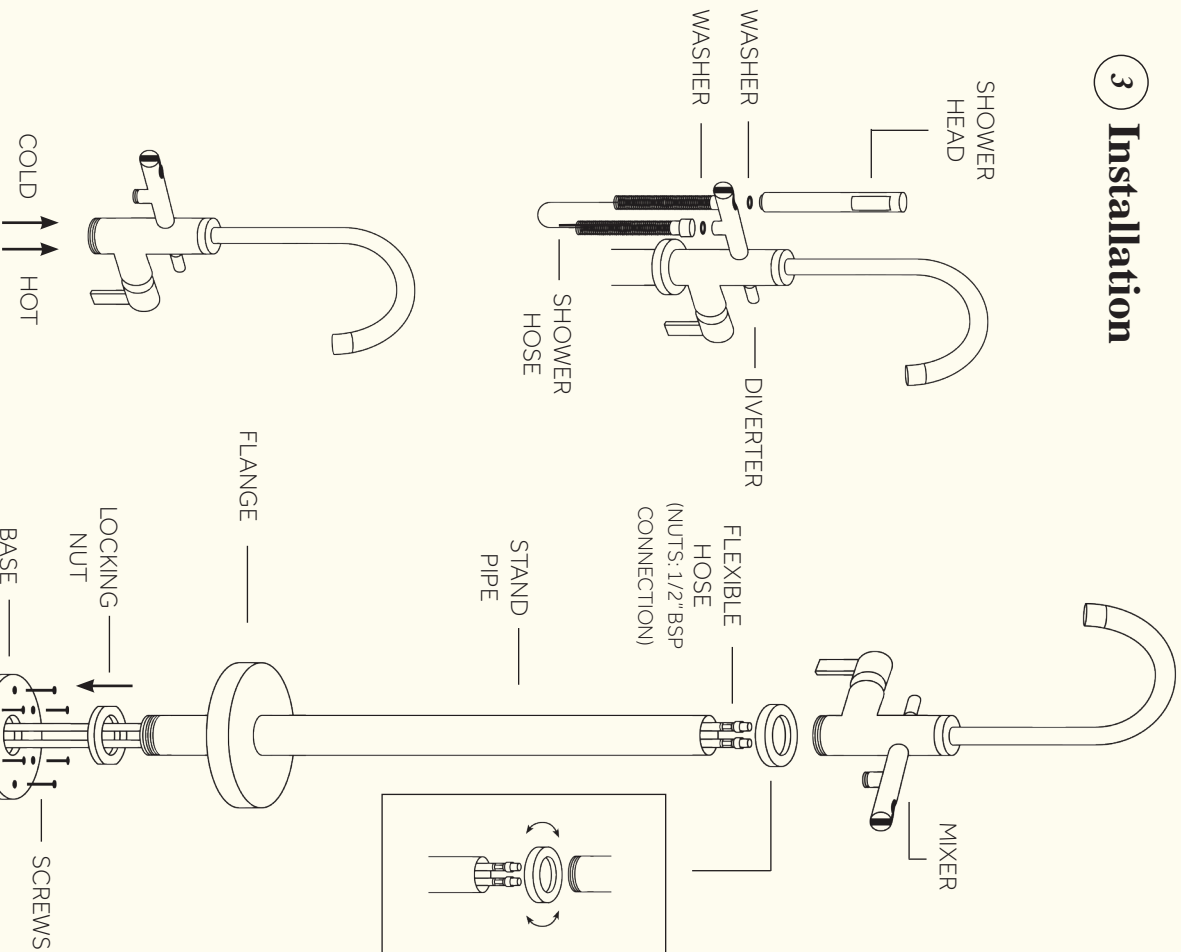
We do not accept any responsibility for any problems that may occur through incorrect installation.

2 **Dimensions**



Dimensions in mm

3 Installation



First shut off your water heating system, then with your mains stop cock closed, open the lowest Cold and Hot taps in the house and allow to run until the cold storage tank and pipes are empty (the hot storage cylinder always remains full). Fitting isolating valves to inlet feeds to recommend for ease of maintenance.

INSTALLATION Please note: remember to turn off mains water supply before connecting to any existing pipe work.

1. Drill a hole min 57mm diameter - max 65mm diameter in the floor, ensure there are 1/2" bsp male connections installed for the Flexi Hoses to connect to. Secure the part marked BASE to the floor. Please Note: if mounting into a wooden floor, secure the Base Plate using screws only (wall plugs not needed). If mounting into a solid floor, drill suitable sized holes for wall plugs first, then insert wall plugs into the floor and finally secure the Base Plate using screws. Where required ensure correct plugs for your floor type are used.
 2. Place the Flange over the Stand Pipe (a little silicone grease may be required on the Base Plate o-ring to allow it to slide onto the stand pipe with ease).
 3. Put the flexible hoses up through the Stand Pipe and attach the Flexi Hoses to the Mixer, please note not to reverse the Cold and Hot supply.
 4. Place the Mixer on the Stand Pipe and secure into place.
 5. Locate the above assembly on the desired location. Attach the flexible hoses through the prepared hole to the 1/2" male BSP connections. Then secure the Stand Pipe to the fixed Base Plate ensuring you secure it in place with the supplied Locking Nut.
 6. Slide the Flange Plate down to the floor.
 7. Ensure the washers are inserted into each end of the Shower Hose and then secure it to the Shower and Mixer.
 8. OPERATION: Pull out the Diverter to operate the Shower.
- Attention: Having first checked all new connections, turn on the Mains Stop Cock, close all taps except the new Mixer and as the system starts to refill, check for leaks. Once satisfied that there are no leaks, switch on the water heating.**

4

FLEXIBLE HOSE
(NUTS: 1/2" BSP CONNECTION)

5

4 Maintenance, Cleaning & Aftercare

Cleaning the cartridge: The concealed cartridge should give trouble-free service, but in the event of any problem, service is straightforward.

To remove the cartridge: Pull off the cap and then use a suitable hex key (not supplied) to loosen the grub screw, but do not remove it. Pull off the handle and unscrew the dome cap.

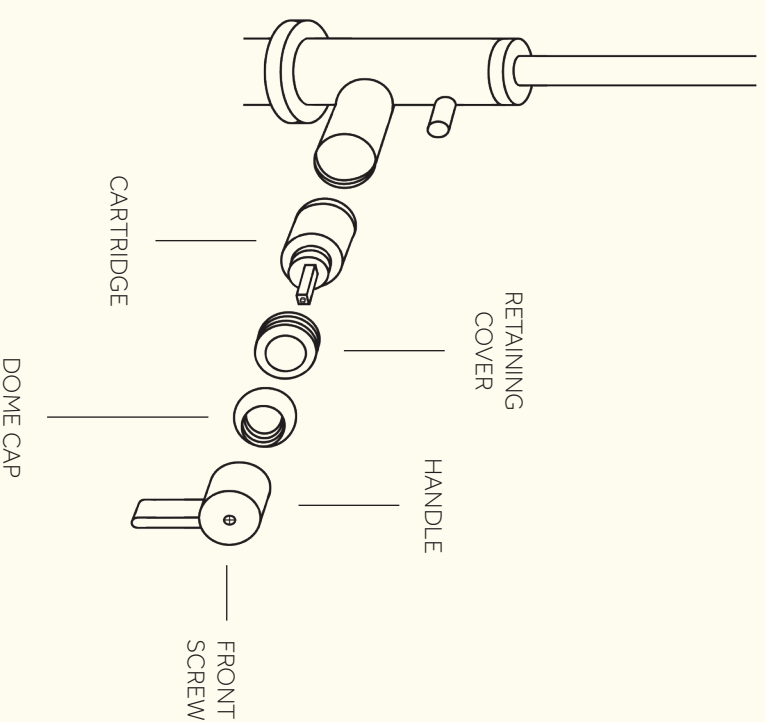
Remove the retaining cover using an adjustable spanner (not supplied).

Take the cartridge out and wash it with clean running water. Make sure any trapped debris has been removed. Dry and lightly grease the seal (bottom of the cartridge, only use silicone grease). Refit the cartridge followed by the retaining cover, dome cap and handle.

Cleaning: Our products should be cleaned only with warm soapy water followed by rinsing with clean water and drying with a soft cloth. All finishes are vulnerable to acid attack and some strong substances such as household cleaners, disinfectants, denture cleaners, hair dyes, wine-making and photographic chemical can cause the surface to damage.

This product should only be fitted by a qualified plumber.

Should the installation be completed by a non-qualified person then the guarantee may be considered invalid. *For any claim made under our warranty written certification of your installer's credentials may be required.*



INSTALLER DETAILS:

ORE

MADE IN ENGLAND