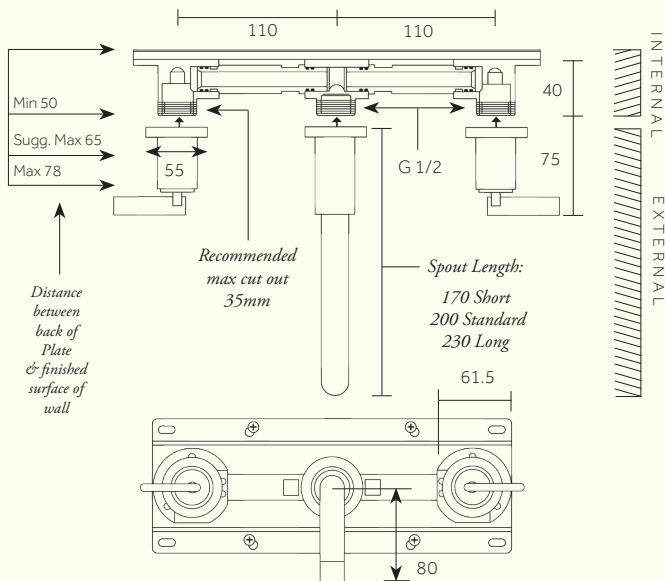


8

Wall Mounted Basin Taps & Spout

INTERNAL FIRST FIX: WBSIP



Min/Max Operating pressure: (bars)	2.0 - 5.0					
Flow rates: Bar/L per min (with Aerator)	0.5/5.4	1/7.2	2/8	3/8.7	4/8.5	5/8.5
Flow rates: Bar/L per min (without Aerator)	0.5/15.7	1/21.8	2/31.2	3/43.2	4/50.8	5/55.3
Connection:	1/2" BSP (NPT ADAPTERS ARE AVAILABLE)					
Flow Restrictor:	5.0 - 8.0 LTR					

Dimensions in mm. Further installation instructions available as a downloadable PDF on the product page of our website.