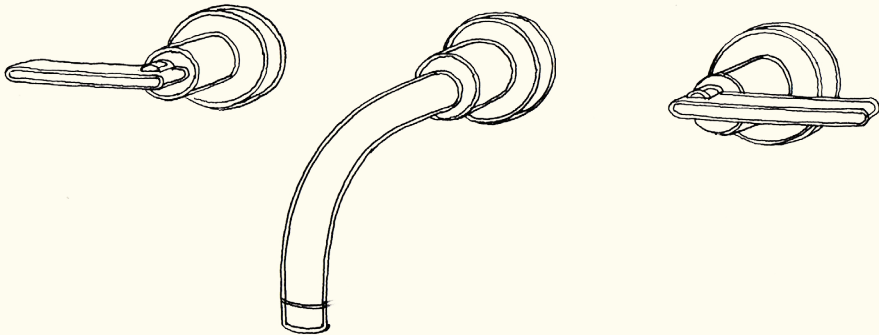


# Wall Mounted Basin/Bath Taps

*Product shown will vary depending on model*



***Important information:***

To ensure this product is installed properly you must read and follow these guidelines.

The owner/user of this product must keep this information for future reference.

This product must be installed by a professional licensed contractor.

Only use a strap wrench or protected smooth jaw on any finished surface.

**ORE**

## Guarantee and Aftercare

When installing or using tools, extra care must be taken to avoid damaging the finish or fitting. To maintain the appearance, please ensure it is cleaned regularly using a clean soft damp cloth only. Abrasive cleaners or detergents must not be used as they may cause surface deterioration. The company provides a guarantee against faulty material or manufacture excluding serviceable parts, providing they have been installed, cared for and used in accordance with our instructions.

More information on our Warranty and Aftercare can be found on our website.

## Earth Bonding

Earth any new pipe satisfactorily (seek expert advice if in doubt).

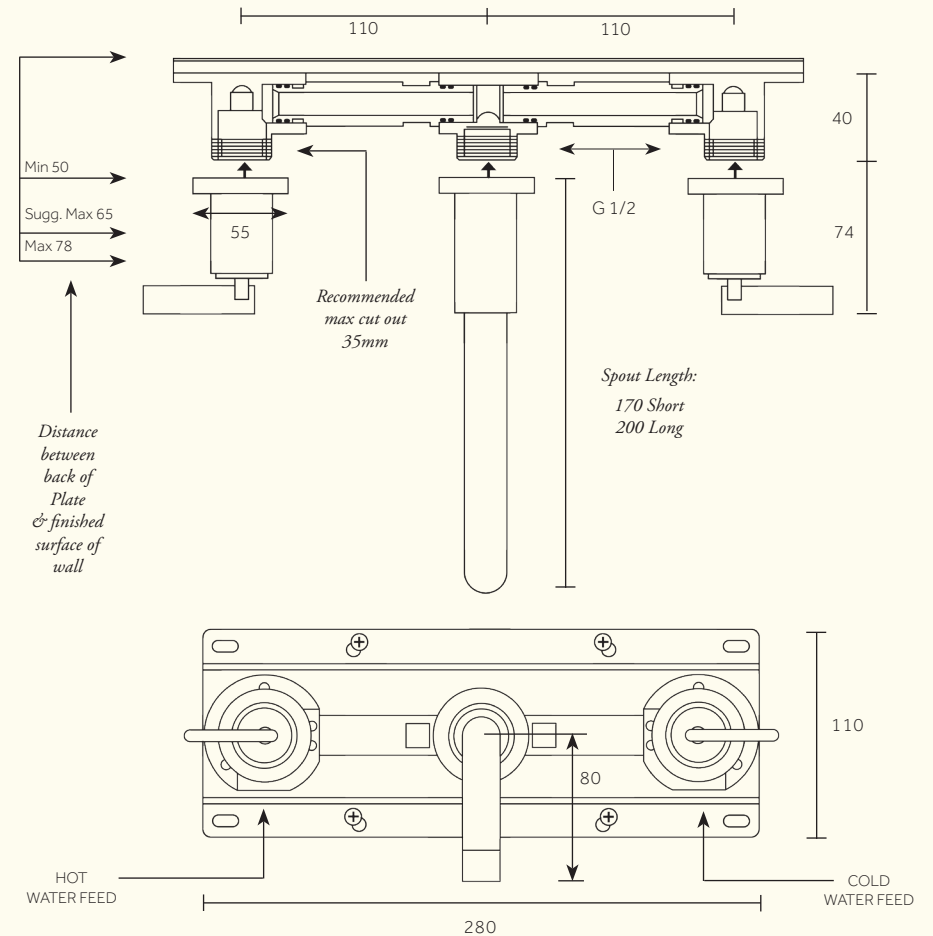
The company reserves the right to continually evolve its product lines without notification.

The company will not accept any liability regarding specification changes and their consequences unless previously quoted by the company in writing.

## Installation Procedure

1. Prior to installation please ensure that all the supply pipes have been flushed through to remove any debris and then ensure the water supply is turned off.
2. We strongly recommend the fitting of isolation valves to the inlet feeds for ease of future maintenance.
3. Ensure you have all the relevant tools before commencing the installation and take note of any specific markings on the product to make sure that they are installed correctly.
4. Carefully assemble new fitting onto sanitary ware/bath. Do NOT overtighten as this may cause damage to the fitting and/or the sanitary ware/bath. Remember to install the 'O' ring or washer between the mixer body and sanitary ware/bath. If you need to remove the Tap Handles to install the product, unscrew the cylinder from the valve casing and pull on the Handle.
5. Connect water supply to the inlet connector, the HOT supply should always be connected to the LH side when viewing the fitting from the front.  
Please ensure you take note of any specific markings on the product to make sure they are installed correctly.
6. Ensure fitting is in the 'open' position and turn on the water supply. Allow the tap to run for a few minutes to flush out any debris.
7. Check all water feed connections to ensure there are no leaks.
8. Check the assembled fit of the products to the sanitary ware/bath to ensure there is no water ingress that may cause water damage after installation.

## Wall Mounted Basin Taps



Min/Max Operating pressure: (bars)	1.0 - 5.0					
Flow rates: Bar/L per min (with Aerator)	0.5/5.4	1/7.2	2/8	3/8.7	4/8.5	5/8.5
Flow rates: Bar/L per min (without Aerator)	0.5/15.7	1/21.8	2/31.2	3/43.2	4/50.8	5/55.3
Connection:	1/2" BSP (NPT ADAPTERS ARE AVAILABLE)					
Flow Restrictor:	5.0 - 8.0 LTR					

## Guarantee and Aftercare

When installing or using tools, extra care must be taken to avoid damaging the finish or fitting. To maintain the appearance, please ensure it is cleaned regularly using a clean soft damp cloth only. Abrasive cleaners or detergents must not be used as they may cause surface deterioration. The company provides a guarantee against faulty material or manufacture excluding serviceable parts, providing they have been installed, cared for and used in accordance with our instructions.

More information on our Warranty and Aftercare can be found on our website.

## Earth Bonding

Earth any new pipe satisfactorily (seek expert advice if in doubt).

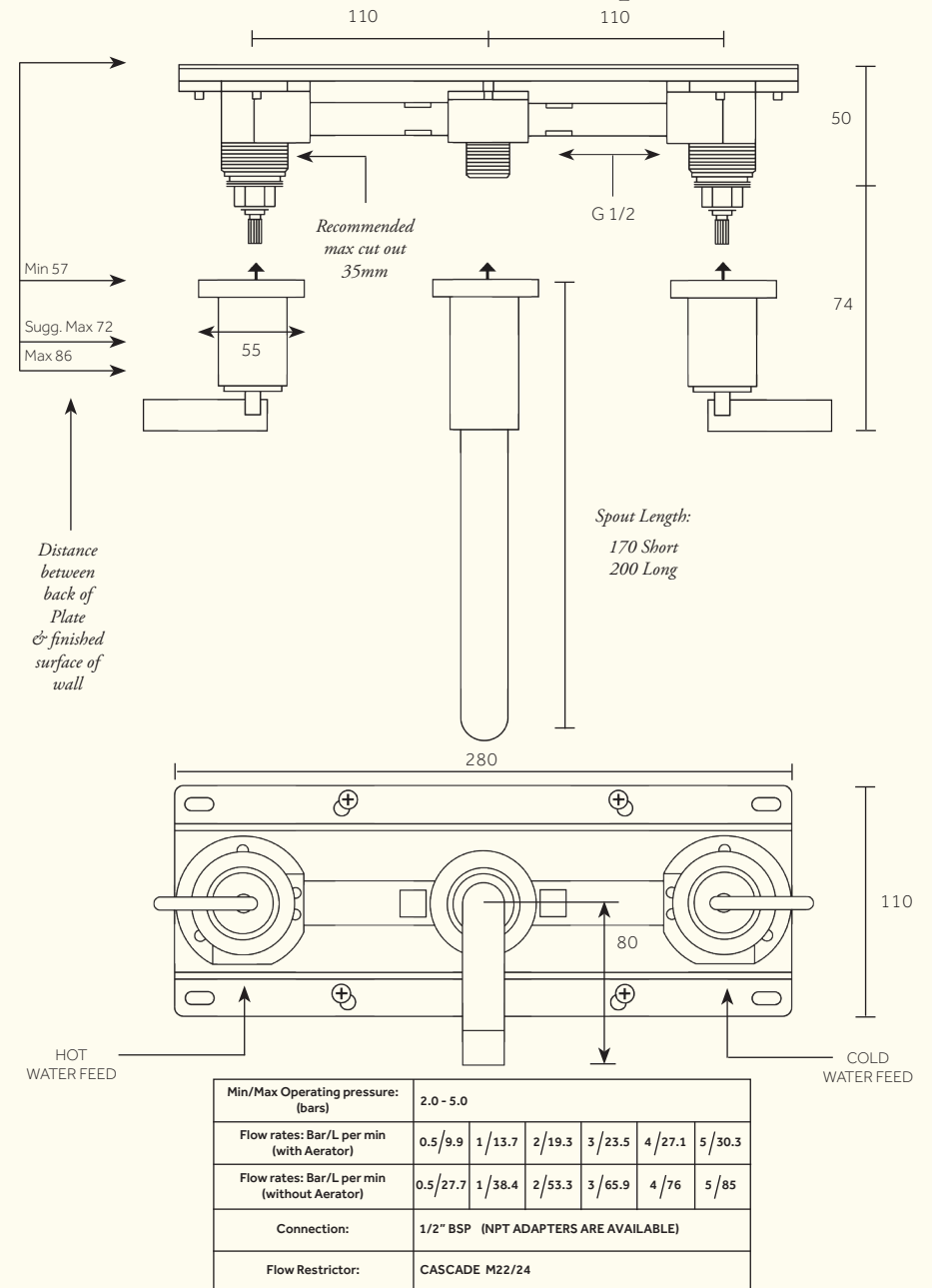
The company reserves the right to continually evolve its product lines without notification.

The company will not accept any liability regarding specification changes and their consequences unless previously quoted by the company in writing.

## Installation Procedure

1. Prior to installation please ensure that all the supply pipes have been flushed through to remove any debris and then ensure the water supply is turned off.
2. We strongly recommend the fitting of isolation valves to the inlet feeds for ease of future maintenance.
3. Ensure you have all the relevant tools before commencing the installation and take note of any specific markings on the product to make sure that they are installed correctly.
4. Carefully assemble new fitting onto sanitary ware/bath. Do NOT overtighten as this may cause damage to the fitting and/or the sanitary ware/bath. Remember to install the 'O' ring or washer between the mixer body and sanitary ware/bath. If you need to remove the Tap Handles to install the product, unscrew the cylinder from the valve casing and pull on the Handle.
5. Connect water supply to the inlet connector, the HOT supply should always be connected to the LH side when viewing the fitting from the front.  
Please ensure you take note of any specific markings on the product to make sure they are installed correctly.
6. Ensure fitting is in the 'open' position and turn on the water supply. Allow the tap to run for a few minutes to flush out any debris.
7. Check all water feed connections to ensure there are no leaks.
8. Check the assembled fit of the products to the sanitary ware/bath to ensure there is no water ingress that may cause water damage after installation.

## Wall Mounted Bath Taps



INSTALLER DETAILS:

**ORE**