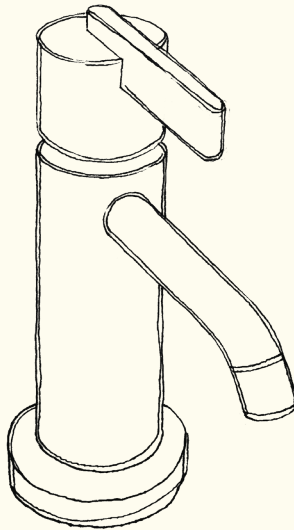


Pillar Taps

Product shown may vary depending on model



Important information:

To ensure this product is installed properly you must read and follow these guidelines.

The owner/user of this product must keep this information for future reference.

This product must be installed by a professional licensed contractor.

Only use a strap wrench or protected smooth jaw on any finished surface.

ORE

Guarantee and Aftercare

When installing or using tools, extra care must be taken to avoid damaging the finish or fitting. To maintain the appearance, please ensure it is cleaned regularly using a clean soft damp cloth only. Abrasive cleaners or detergents must not be used as they may cause surface deterioration. The company provides a guarantee against faulty material or manufacture excluding serviceable parts, providing they have been installed, cared for and used in accordance with our instructions. More information on our Warranty and Aftercare can be found on our website.

Specifications

Minimum Dynamic Pressure: 1.5 Bar
Maximum Operating Pressure (static): 10 Bar
Recommended Operating Pressure (static): 2 -5 Bar
Maximum Test Pressure (static): 16 Bar
Maximum Hot Water Temperature: 65° C

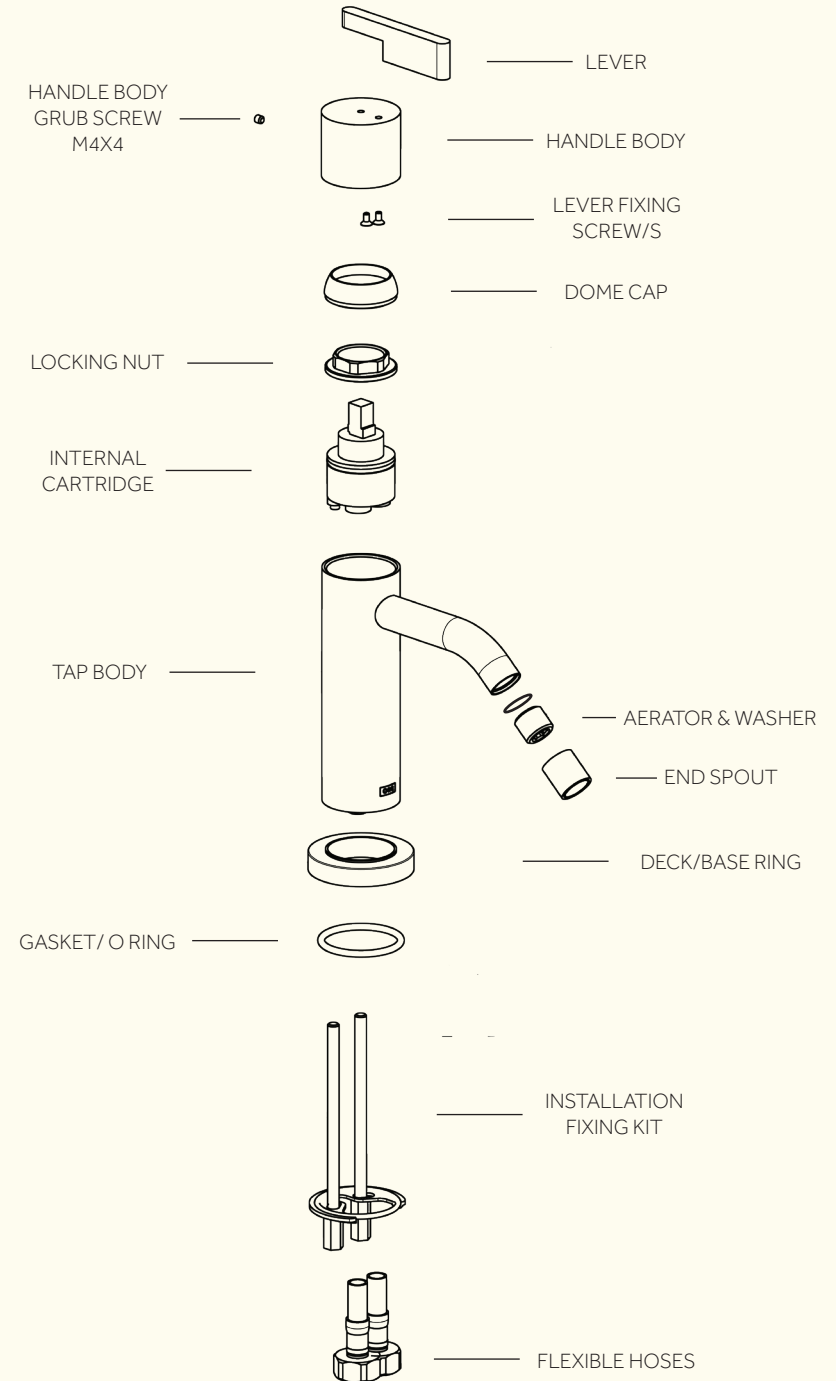
Installation Procedure

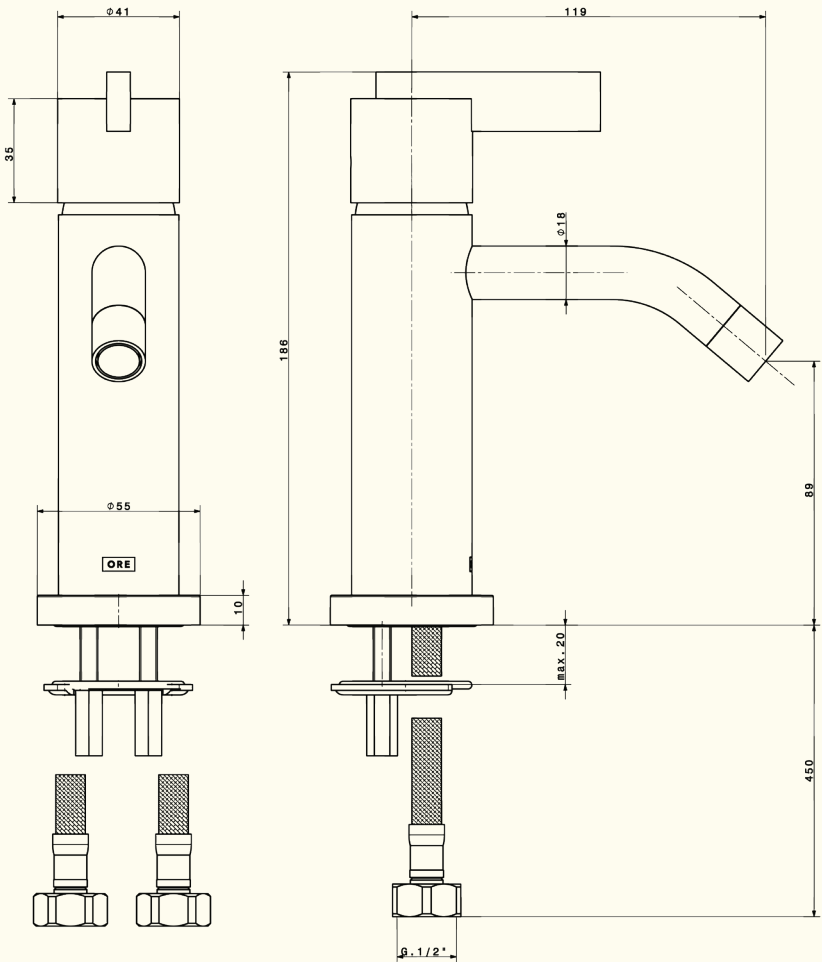
This product is designed to work with hot water supplied by pressure accumulators. For instantaneous electric or gas water heaters, the power must be higher than 18 KW (250 Kcal/min).

CAUTION: do not use hot water accumulators without pressure.

1. Prior to installation please ensure that all the supply pipes have been flushed through to remove any debris and then ensure the water supply is turned off.
 2. We strongly recommend the fitting of isolation valves to the inlet feeds for ease of future maintenance.
 3. Ensure you have all the relevant tools before commencing the installation and take note of any specific markings on the product to make sure that they are installed correctly.
 4. Hand tighten the flexible hoses onto the tap.
 5. Carefully position the new fitting onto the sanitary ware.
 6. Hand tighten the threaded shaft onto the tap and insert the gasket between the tap and the sanitary ware. Secure the tap to the sanitary ware by tightening the nut using a 9mm wrench. Do NOT overtighten as this may cause damage to the fitting and/or the sanitary ware.
- CAUTION: during installation, to prevent damage to the flexible hoses do not use clamps/pliers.**
7. Once the Tap is connected to the plumbing, tighten the flexible hose nuts using a 19mm wrench (cold water right / hot water left).
 8. Test the system for leaks (maximum test pressure 16 bar static).

For dimensions, see page 4





ORE