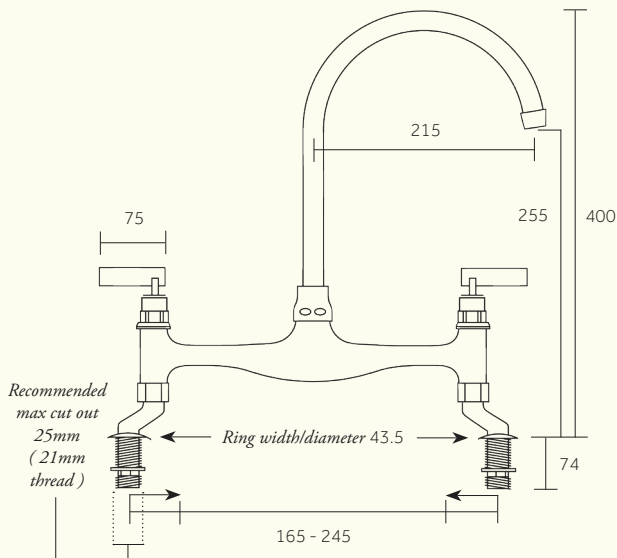


38

PRODUCT NAME
Deck Mounted Bridge Mixer



Dimensions in mm

Further installation instructions available as a downloadable PDF
 on the product page of our website.

Min/Max Operating pressure: (bars)	2.0 - 5.0					
Flow rates: Bar/L per min (with Aerator)	0.5/9.4	1/13	2/18.4	3/22.5	4/26.1	5/29.1
Flow rates: Bar/L per min (without Aerator)	0.5/31.8	1/44.1	2/62.1	3/76.3	4/87.9	5/98.1
Connection:	1/2" BSP					
Flow Restrictor:	CASCADE M22/M24					