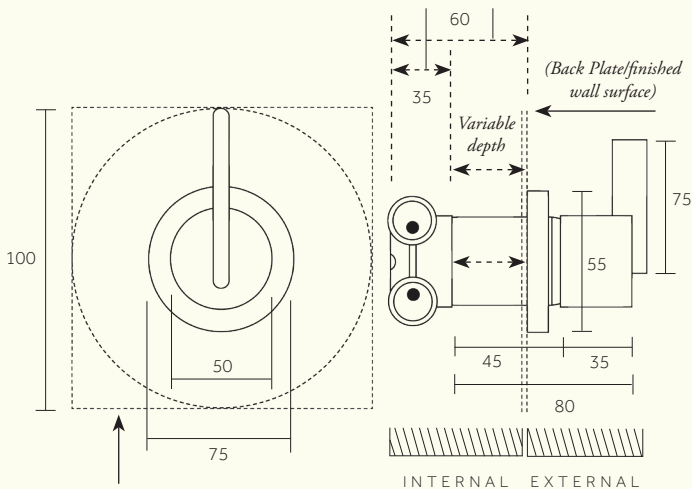


35

PRODUCT NAME

Wall Mounted Shower Mono Mixer

INTERNAL FIRST FIX: SHMNIP

Min & Max distances between back of Mono Mixer body and finished wall surface*Available with or without backplates
(Square or Circular)*

Min/Max Operating pressure: (bars)	2.0 - 5.0				
Flow rates: Bar/L per min	0.5/11.9	1/16.3	2/23	3/28	4/32.2 5/35.8
Connection:	1/2" BSP				
Flow Restrictor:	N/A				

Dimensions in mm: *Further installation instructions available as a downloadable PDF on the product page of our website.*