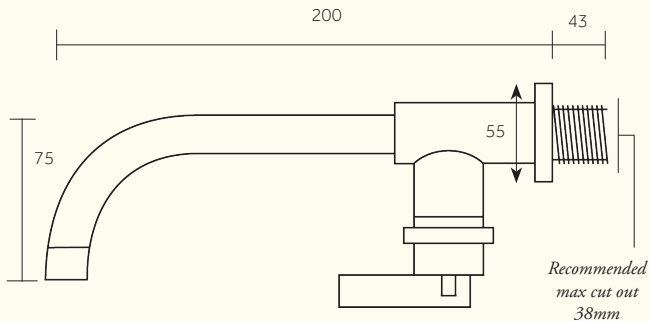


2

PRODUCT NAME
Wall Mounted Mono Mixer



Only suitable with Stud / Partition wall

Dimensions in mm

*Further installation instructions available as a downloadable PDF
 on the product page of our website.*

Min/Max Operating pressure: (bars)	2.0 - 5.0					
Flow rates: Bar/L per min (with Aerator)	0.5/4.3	1/5.8	2/7.5	3/7.8	4/7.8	5/8.1
Flow rates: Bar/L per min (without Aerator)	0.5/9.0	1/12.2	2/16.9	3/20.5	4/23.6	5/25.5
Connection:	1/2" BSP					
Flow Restrictor:	PCA TJ 8.0 LTR					