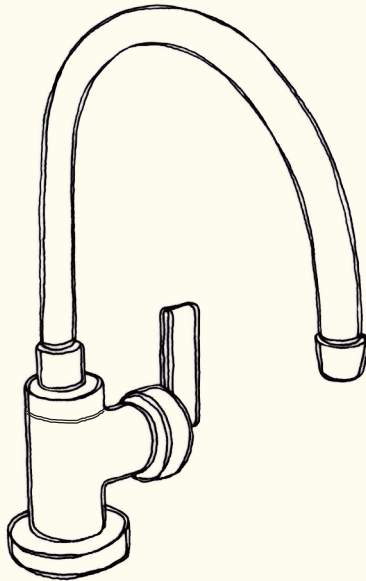


Deck Mounted Mono Mixer: Short

Product shown may vary depending on model and minor product alterations



Important information:

To ensure this product is installed properly you must read and follow these guidelines.

The owner/user of this product must keep this information for future reference.

This product must be installed by a professional licensed contractor.

Only use a strap wrench or protected smooth jaw on any finished surface.

ORE

Introduction

The model supplied may vary from the image shown. Please note that the general installation process for all deck mounted mixer fittings is the same, and the following guide will take you through the process.

The company reserves the right to continually evolve its product lines without notification. The company will not accept any liability regarding specification changes and their consequences unless previously quoted by the company in writing.

Aftercare

During installation, extra care must be taken to avoid damaging the fitting or its finish.

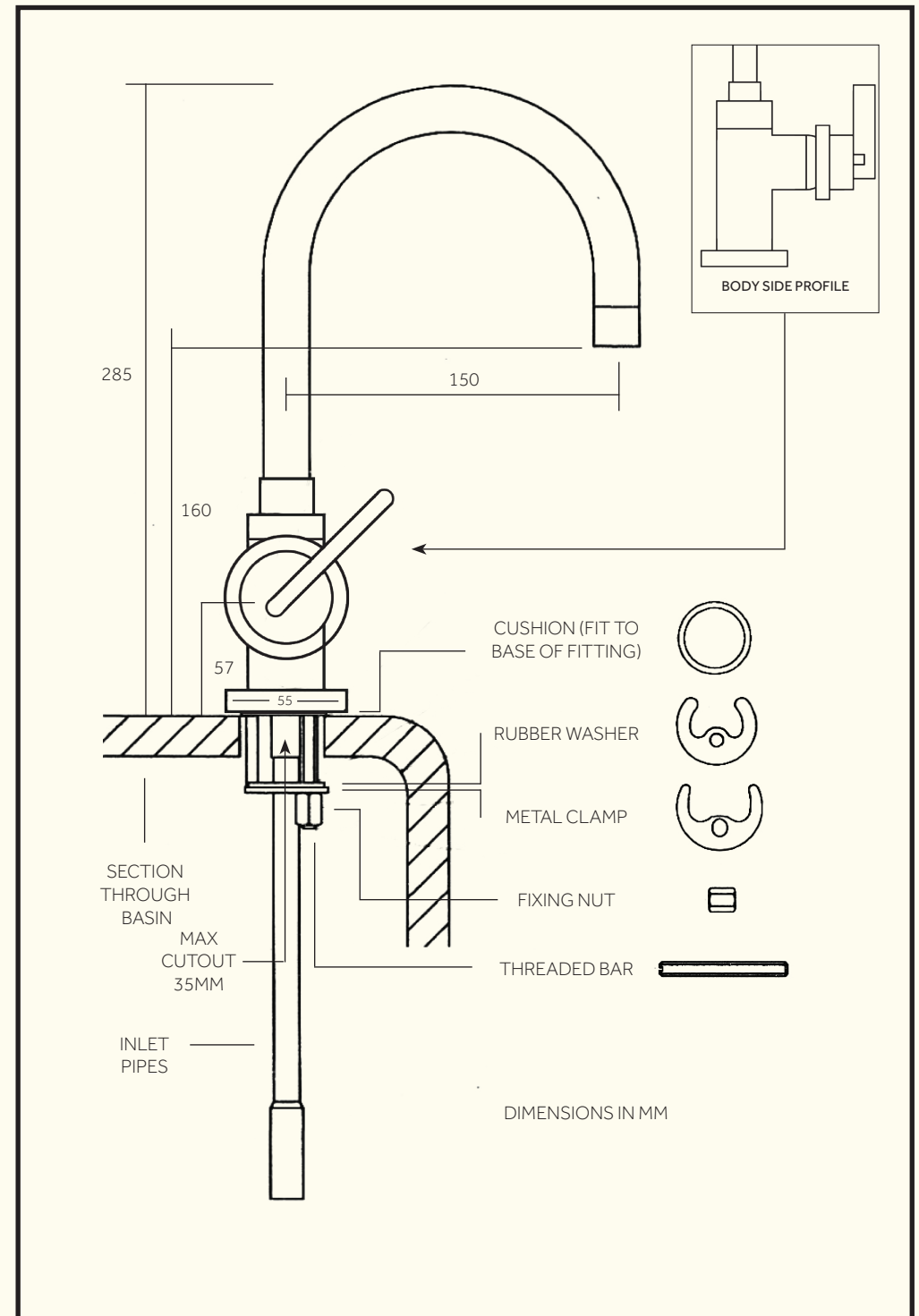
Installation Procedure

NOTE:

This product is designed to have either a fixed spout, or a spout that swivels. For the fixed option, on installation, the grub screw located in the body needs to be tightened to fix the spout in position over the basin.

Certain fitting parts may vary from illustration.

1. Insert Threaded Bar into base of fitting.
2. Place fitting through hole in basin/countertop.
3. Apply Rubber Washer to underside of basin/countertop.
4. Apply metal clamp to underside of basin/countertop.
5. Screw Fixing Nut on to Threaded Bar and tighten.
6. Apply Sealing Washer to underside of basin.
7. Carefully install the inlet pipes (style may vary) in to the fitting. It is not necessary to over tighten these pipes.
8. Earth any new pipes adequately. Seek expert advice if in doubt.
9. Connect water supply pipes to inlet pipes, (ensuring isolation valves (not supplied) are in position).
10. Ensure Tap Valves are in open position.
11. Open Isolating Valves.



INSTALLER DETAILS:

ORE