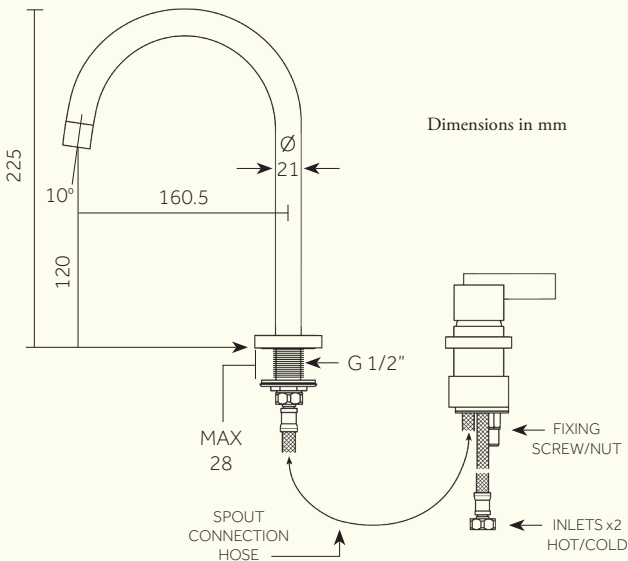


21

PRODUCT NAME  
Deck Mounted 2-Hole Mixer



Min/Max Operating pressure: (bars)	0.5 - 5.0					
Flow rates: Bar/L per min (with Aerator)	0.5/3.8	1/5.4	1.5/6.6	2/7.6	2.5/8.5	3/9.3
Flow rates: Bar/L per min (without Aerator)	0.5/5.2	1/7.2	2/10	3/12.5	4/14.2	5/15.8
Connection:	1/2" BSP					
Flow Restrictor:	PCA TJ 8.0 LTR					

*Further installation instructions available as a downloadable PDF  
on the product page of our website.*