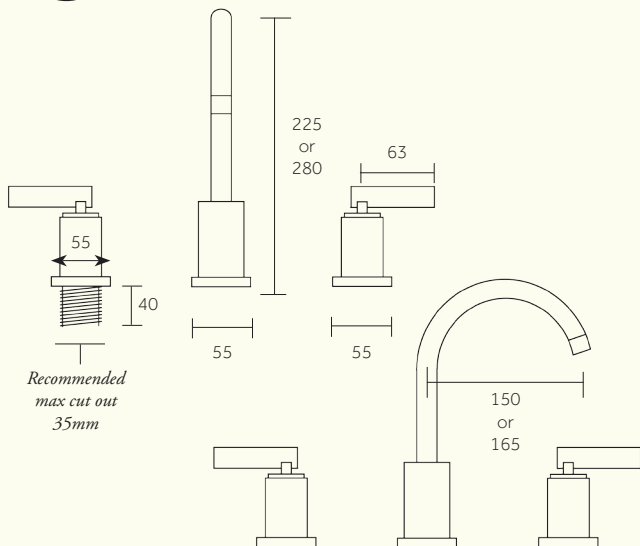


18

PRODUCT NAME

## Deck Mounted Basin Taps &amp; Spout



Dimensions in mm (300mm connector hoses supplied)

Further installation instructions available as a downloadable PDF  
on the product page of our website.

Min/Max Operating pressure: (bars)	2.0 - 5.0					
Flow rates: Bar/L per min (With Aerator)	0.5/4.3	1/6.9	2/7.9	3/8.9	4/8.1	5/8.1
Flow rates: Bar/L per min (Without Aerator)	0.5/6.9	1/9.6	2/13.4	3/16.4	4/19	5/21.2
Connection:	1/2" BSP					
Aerator:	PCA TJ 8.0 LTR					