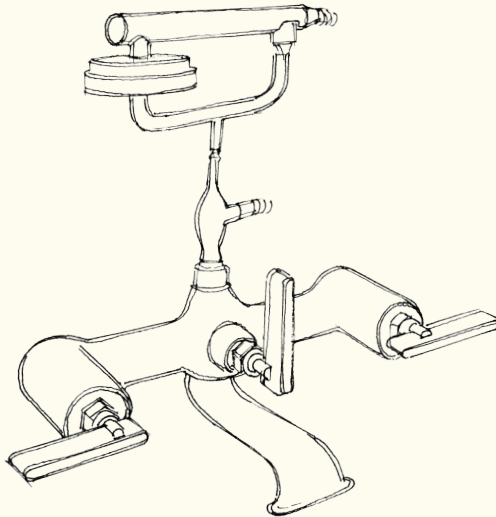


Deck Mounted Bath Mixer

Product shown will vary depending on model



Important information:

To ensure this product is installed properly you must read and follow these guidelines.

The owner/user of this product must keep this information for future reference.

This product must be installed by a professional licensed contractor.

Only use a strap wrench or protected smooth jaw on any finished surface.

ORE

Guarantee and Aftercare

When installing or using tools, extra care must be taken to avoid damaging the finish or fitting. To maintain the appearance, please ensure it is cleaned regularly using a clean soft damp cloth only. Abrasive cleaners or detergents must not be used as they may cause surface deterioration. The company provides a guarantee against faulty material or manufacture excluding serviceable parts, providing they have been installed, cared for and used in accordance with our instructions.

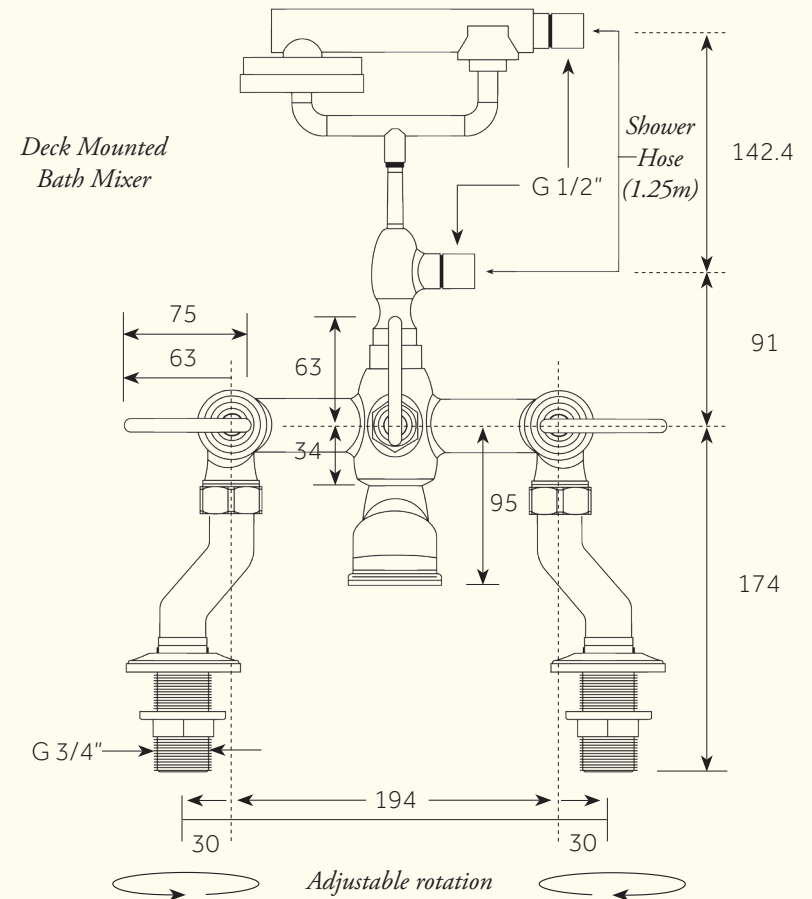
Earth Bonding

Earth any new pipe satisfactorily (seek expert advice if in doubt).

The company reserves the right to continually evolve its product lines without notification. The company will not accept any liability regarding specification changes and their consequences unless previously quoted by the company in writing.

Installation Procedure

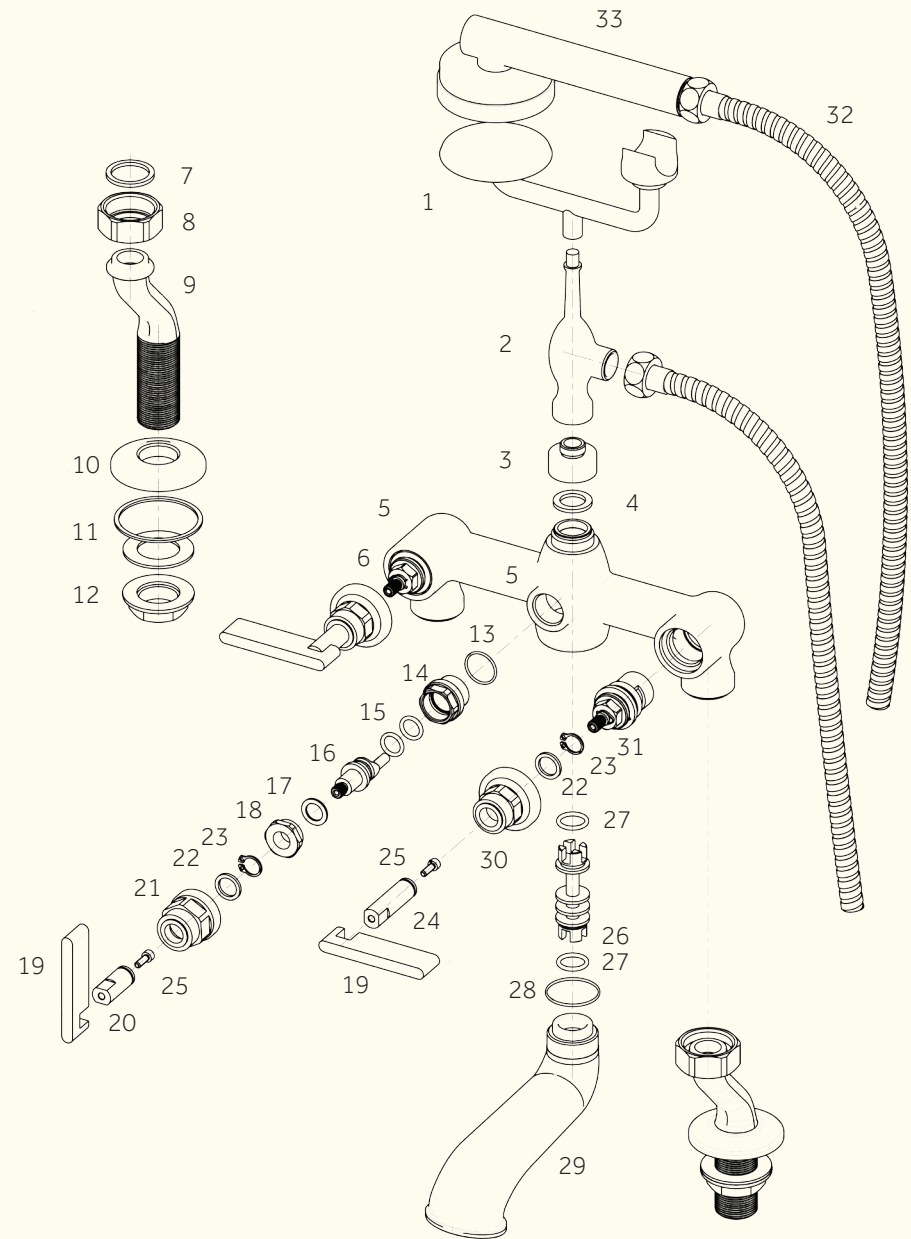
- 1 Prior to installation please ensure all the supply pipes have been flushed through to remove any debris and then ensure the water supply is turned off.
- 2 We strongly recommend the fitting of isolation valves to the inlet feeds for ease of future maintenance.
- 3 Ensure you have all the relevant tools before commencing the installation.
- 4 Fit the inlet connector by hand to the mixer body making sure that you do NOT over tighten.
- 5 Screw the threaded bar into its location inside the mixer body.
Please ensure that you take note of any specific markings on the product to make sure they are installed correctly.
- 6 Carefully assemble new fitting onto surface of Bathware. Do NOT over tighten as this may cause damage. Remember to install the O-Ring or washer between the mixer body and the Bathware.
- 7 Connect water supply to the inlet connector. The HOT supply should always be connected to the LH side when viewing the fitting from the front.
- 8 Ensure fitting is in the OPEN position and turn on water supply. Allow the tap to run for a few minutes to flush out any debris.
- 9 Check all water feed connections to ensure there are no leaks.
- 10 Check the assembled fit of the products to the Bathware to ensure there is no water ingress that may cause water damage after installation.



Min/Max Operating pressure: (bars)	2.0 - 5.0						
Flow rates: Bar/L per min	0.5/20.4	1/28	1.5/34	2/39.1	2.5/43.9	3/47.9	3.5/51.8
Connection:	3/4" BSP						
Flow Restrictor:	N/A						

Component Diagram

- 1 Shower Holder
- 2 Hose Connection
- 3 Connection Nut
- 4 Gasket
- 5 Mixer Body
- 6 3/4" Valve, Adjustable, Hot
- 7 Gasket
- 8 G 1" Nut
- 9 Leg Body
- 10 Leg Ring
- 11 Gasket Kit
- 12 G 3/4" Nut, Leg
- 13 O Ring
- 14 Diverter Connection
- 15 O Ring
- 16 Diverter Stem
- 17 PTFE Ring
- 18 Diverter Screw
- 19 Lever
- 20 Diverter Lever Shaft
- 21 Diverter Shroud
- 22 Anti Friction Ring
- 23 Seeger
- 24 Traditional Shaft for Lever
- 25 Screw M4X12
- 26 Diverter Body
- 27 O Ring
- 28 O Ring
- 29 Spout
- 30 Handle Shroud
- 31 3/4" Valve, Adjustable, Cold
- 32 Flexible Hose G 1/2"
- 33 Hand Shower



INSTALLER DETAILS:

ORE