

TM3HIP
V6

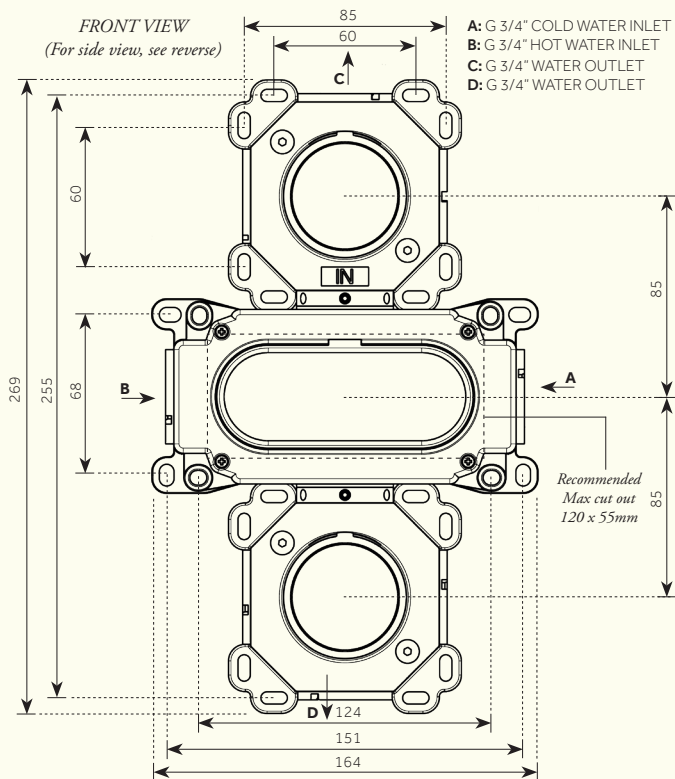
PRODUCT NAME

Shower Thermostat, Three Holes, Internal Part - V6

Studio/ORE

FRONT VIEW
(For side view, see reverse)

- A: G 3/4" COLD WATER INLET
- B: G 3/4" HOT WATER INLET
- C: G 3/4" WATER OUTLET
- D: G 3/4" WATER OUTLET



For min/max operating pressures, flow rates and connection information, see reverse.

Dimensions in mm. Further installation instructions available as a downloadable PDF on the product page of our website.

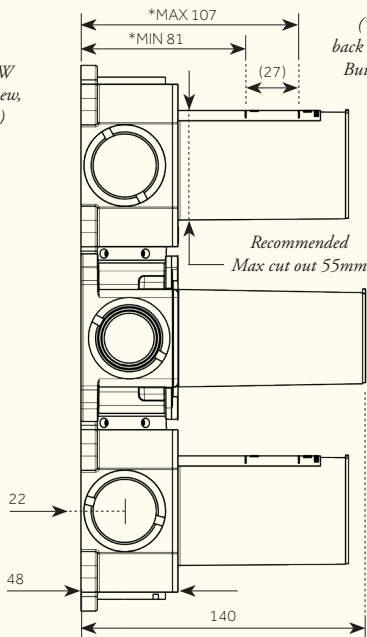
TM3HIP
V6

PRODUCT NAME

Shower Thermostat, Three Holes, Internal Part - V6

Studio/ORE

SIDE VIEW
(For front view,
see reverse)



(*Distance between
back of Shower Thermostat
Built-in box & finished
surface of wall)

Recommended
Max cut out 55mm

Min/Max Operating pressure: (bars)	0.5 - 6.0						
Flow rates: Bar/L per min Outlet 1	0.5/12.00	1.0/17.00	2.0/24.50	3.0/30.00	4.0/34.60	5.0/38.70	6.0/42.30
Flow rates: Bar/L per min Outlet 2	0.5/12.00	1.0/17.00	2.0/24.50	3.0/30.00	4.0/34.60	5.0/38.70	6.0/42.30
Connection:	3/4" BSP (NPT ADAPTERS ARE INCLUDED)						
Flow Restrictor:	N/A						

Dimensions in mm. Further installation instructions available as a downloadable PDF on the product page of our website.