

TM3
HDIVIP
V6

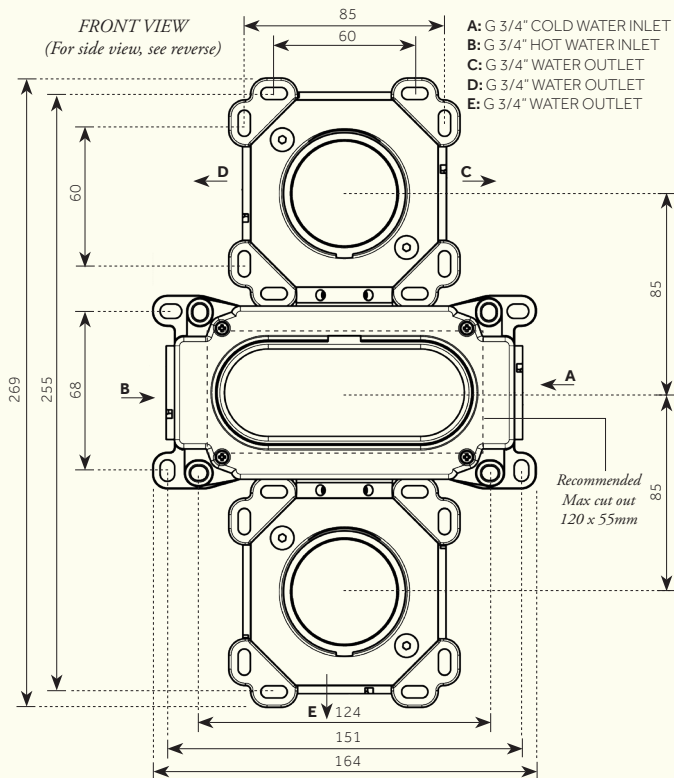
PRODUCT NAME

Studio/ORE

**Shower Thermostat, Three Holes, with Two Ways
Diverter with Stop Position, Internal Part - V6**

FRONT VIEW
(For side view, see reverse)

- A: G 3/4" COLD WATER INLET
- B: G 3/4" HOT WATER INLET
- C: G 3/4" WATER OUTLET
- D: G 3/4" WATER OUTLET
- E: G 3/4" WATER OUTLET



For min/max operating pressures, flow rates and connection information, see reverse.

Dimensions in mm. Further installation instructions available as a downloadable PDF on the product page of our website.

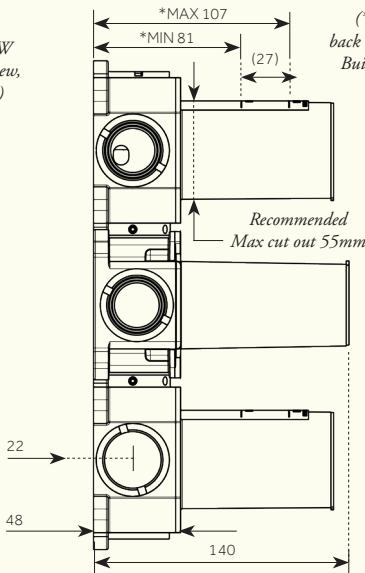
TM3
HDIVIPIP
V6

PRODUCT NAME

Studio/ORE

**Shower Thermostat, Three Holes, with Two Ways
Diverter with Stop Position, Internal Part - V6**

*SIDE VIEW
(For front view,
see reverse)*



(*Distance between
back of Shower Thermostat
Built-in box & finished
surface of wall)

*Recommended
Max cut out 55mm*

| | | | | | | | |
|---------------------------------------|--------------------------------------|-----------|-----------|-----------|-----------|-----------|-----------|
| Min/Max Operating pressure: (bars) | 0.5 - 6.0 | | | | | | |
| Flow rates: Bar/L per min Outlet 1 | 0.5/9.20 | 1.0/13.40 | 2.0/19.10 | 3.0/23.50 | 4.0/27.30 | 5.0/30.60 | 6.0/32.60 |
| Flow rates: Bar/L per min Outlet 2 | 0.5/9.50 | 1.0/13.70 | 2.0/19.50 | 3.0/24.00 | 4.0/27.90 | 5.0/31.30 | 6.0/34.20 |
| Flow rates: Bar/L per min Outlet 3 | 0.5/12.00 | 1.0/17.00 | 2.0/24.50 | 3.0/30.00 | 4.0/34.60 | 5.0/38.70 | 6.0/42.30 |
| Connection: | 3/4" BSP (NPT ADAPTERS ARE INCLUDED) | | | | | | |
| Flow Restrictor: | N/A | | | | | | |

Dimensions in mm. Further installation instructions available as a downloadable PDF on the product page of our website.