

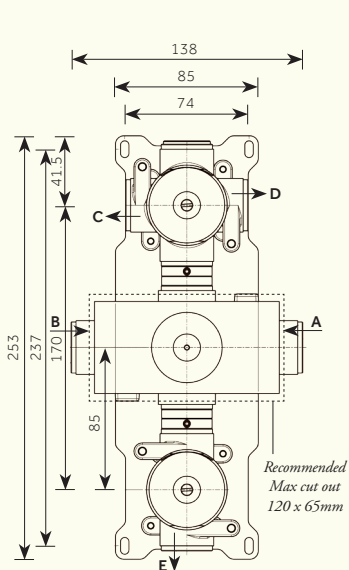


Studio/ORE

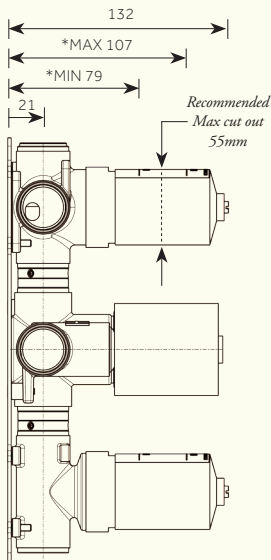
PRODUCT NAME

### Shower Thermostat, Three Holes, with Two Ways Diverter Internal Parts - V5

AESTHETIC PARTS: 141-V5 | 134-V5 | 371



- A: G 3/4" COLD INLET
- B: G 3/4" HOT INLET
- C: G 3/4" OUTLET
- D: G 3/4" OUTLET
- E: G 3/4" OUTLET



- \*MIN & MAX
- 141 - V5: 79 & 107mm
  - 341 - V5: 79 & 107mm
  - 371: 79 & 107mm

For min/max operating pressures, flow rates and connection information, please see reverse.

Dimensions in mm. Further installation instructions available as a downloadable PDF on the product page of our website.



Studio/ ORE

PRODUCT NAME

**Shower Thermostat, Three Holes, with  
Two Ways Diverter Internal Parts - V5**

AESTHETIC PARTS: 141-V5 134-V5 371

Min/Max Operating pressure: (bars)	0.5 - 6.0						
TM3HDIVIP - V5 Flow rates: Bar/L per min Outlet 1	0.5/9.20	1.0/13.40	2.0/19.10	3.0/23.50	4.0/27.30	5.0/30.60	6.0/32.60
TM3HDIVIP - V5 Flow rates: Bar/L per min Outlet 2	0.5/9.50	1.0/13.70	2.0/19.50	3.0/24.00	4.0/27.90	5.0/31.30	6.0/34.20
TM3HDIVIP - V5 Flow rates: Bar/L per min Outlet 3	0.5/12.00	1.0/17.00	2.0/24.50	3.0/30.00	4.0/34.60	5.0/38.70	6.0/42.30
Connection:	3/4" BSP (NPT ADAPTERS ARE INCLUDED)						

*For specifications (in mm), please see reverse.*

*Further installation instructions available as a downloadable PDF on the product page  
of our website.*