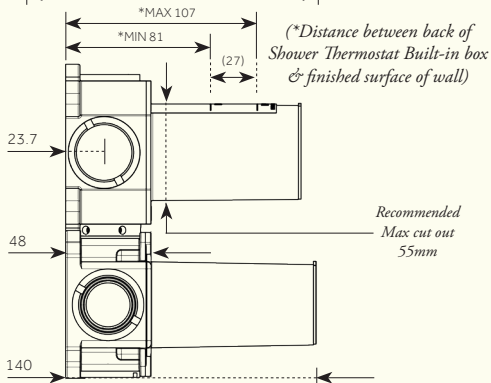
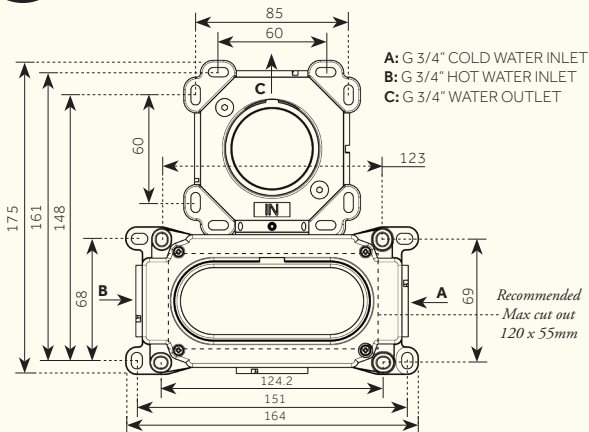


TM2HIP
V6

PRODUCT NAME

Shower Thermostat, Two Holes, Internal Part - V6

Studio/ORE



For min/max operating pressures, flow rates and connection information, see reverse.
Dimensions in mm. Further installation instructions available as a downloadable PDF
on the product page of our website.



PRODUCT NAME

Studio/ **ORE**

Shower Thermostat, Two Holes, Internal Part - V6

Min/Max Operating pressure: (bars)	0.5 - 6.0						
TM2HIP Flow rates: Bar/L per min Outlet 1	0.5/12.0	1.0/17.0	2.0/24.5	3.0/30.0	4.0/34.6	5.0/38.7	6.0/42.3
Connection:	3/4" BSP (NPT ADAPTERS ARE INCLUDED)						

For specifications (in mm), please see reverse.

Further installation instructions available as a downloadable PDF on the product page of our website.