



PRODUCT NAME

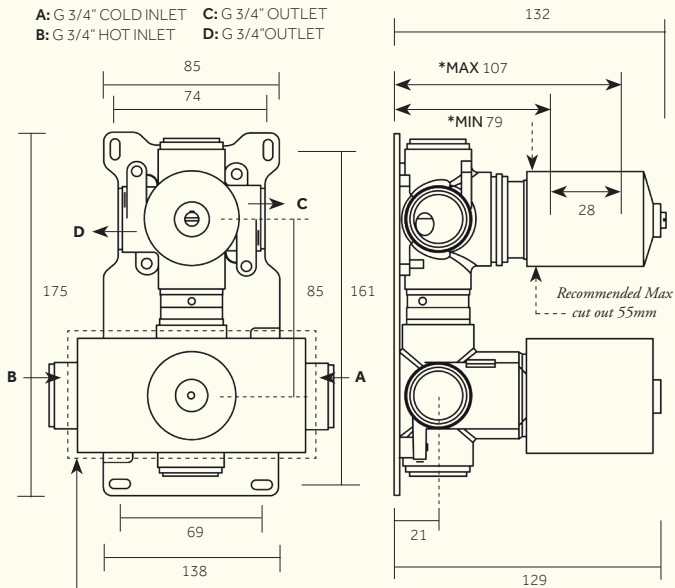
Studio/ORE

## Shower Thermostat, Two Holes with Diverter, Internal Parts - V5

AESTHETIC PARTS: 134-V5 | 234-V5 | 334-V5

**\*MIN & MAX:** 134-V5: 79mm & 107mm 234-V5: 79mm & 107mm 334-V5: 79mm & 107mm  
(\*Distance between back of Thermostat body & finished surface of wall)

**A:** G 3/4" COLD INLET    **C:** G 3/4" OUTLET  
**B:** G 3/4" HOT INLET    **D:** G 3/4" OUTLET



Recommended Max cut out 120 x 65mm

*For min/max operating pressures, flow rates and  
connection information, please see reverse.*

Dimensions in mm.

*Further installation instructions available as a downloadable PDF on the product page  
of our website.*



Studio/ORE

PRODUCT NAME

**Shower Thermostat, Two Holes with Diverter,  
Internal Parts - V5**

AESTHETIC PARTS: 134-V5 | 234-V5 | 334-V5

Min/Max Operating pressure: (bars)	0.5 - 6.0						
TM2HDIVIP Flow rates: Bar/L per min Outlet 1	0.5/9.2	1.0/13.4	2.0/19.1	3.0/23.5	4.0/27.3	5.0/30.6	6.0/32.6
TM2HDIVIP Flow rates: Bar/L per min Outlet 2	0.5/9.5	1.0/13.7	2.0/19.5	3.0/24.0	4.0/27.9	5.0/31.3	6.0/34.2
Connection:	3/4" BSP (NPT ADAPTERS ARE INCLUDED)						

*For specifications (in mm), please see reverse.*

*Further installation instructions available as a downloadable PDF on the product page  
of our website.*