

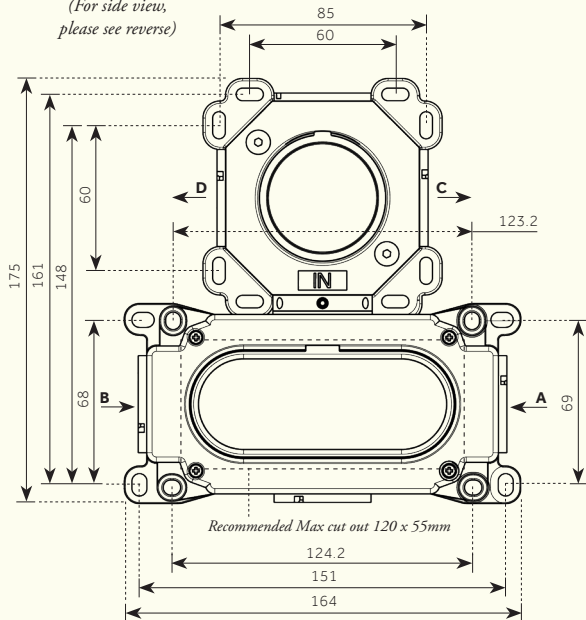
TM2
HDIVIP
V6

PRODUCT NAME

Studio/ ORE

**Shower Thermostat, Two Holes, with Two Ways Diverter
with Stop Position, Internal Part - V6**

*FRONT VIEW
(For side view,
please see reverse)*



A: G 3/4" COLD WATER INLET **C:** G 3/4" WATER OUTLET
B: G 3/4" HOT WATER INLET **D:** G 3/4" WATER OUTLET

For min/max operating pressures, flow rates and connection information, see reverse.

*Dimensions in mm. Further installation instructions available as a downloadable PDF
on the product page of our website.*

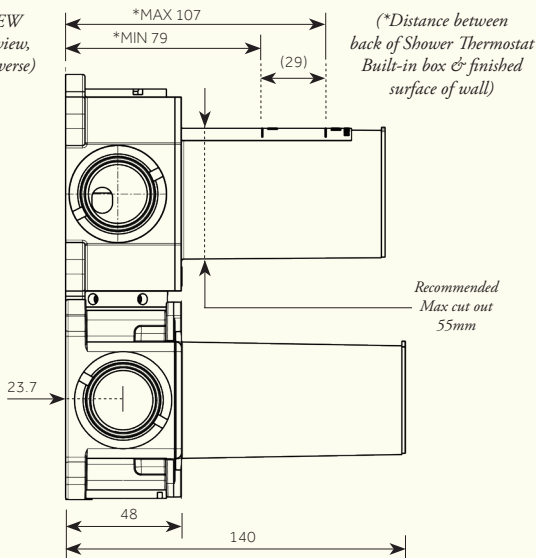


PRODUCT NAME

Studio/ORE

Shower Thermostat, Two Holes, with Two Ways Diverter with Stop Position, Internal Part - V6

*SIDE VIEW
(For front view,
please see reverse)*



Min/Max Operating pressure: (bars)	0.5 - 6.0						
Flow rates: Bar/L per min Outlet 1	0.5/9.20	1.0/13.40	2.0/19.10	3.0/23.50	4.0/27.30	5.0/30.60	6.0/32.60
Flow rates: Bar/L per min Outlet 2	0.5/9.50	1.0/13.70	2.0/19.50	3.0/24.00	4.0/27.90	5.0/31.30	6.0/34.20
Connection:	3/4" BSP (NPT ADAPTERS ARE INCLUDED)						
Flow Restrictor:	N/A						

Dimensions in mm. *Further installation instructions available as a downloadable PDF on the product page of our website.*