



Studio/ORE

PRODUCT NAME

**Chapter One, Chapter Two, Chapter Three -  
Wall Mounted Two Ways Diverter, Internal Parts - V5**

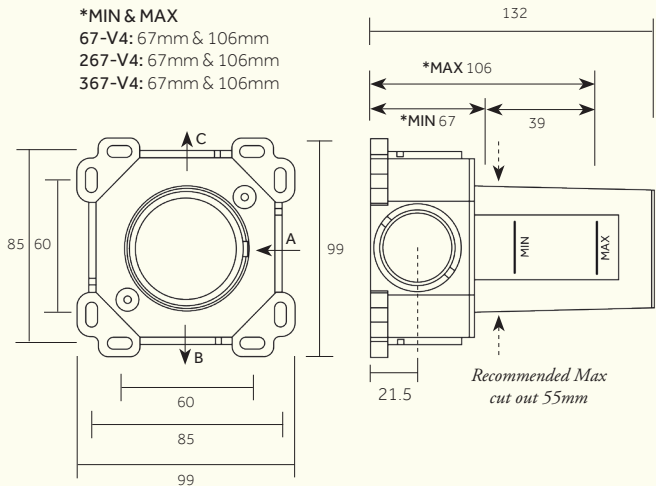
AESTHETIC PARTS: 67-V4 | 267-V4 | 367-V4

\*MIN & MAX

67-V4: 67mm & 106mm

267-V4: 67mm & 106mm

367-V4: 67mm & 106mm



**A: G 3/4" WATER INLET B: G 3/4" WATER OUTLET C: G 3/4" WATER OUTLET**

*For min/max operating pressures, flow rates and  
connection information, please see reverse.*

Dimensions in mm.

*Further installation instructions available as a downloadable PDF on the product page  
of our website.*



PRODUCT NAME

Studio/ORE

**Chapter One, Chapter Two, Chapter Three -  
Wall Mounted Two Ways Diverter, Internal Parts - V5**

AESTHETIC PARTS: 67-V4 | 267-V4 | 367-V4

Min/Max Operating pressure: (bars)	0.5 - 6.0						
TM1HDIVIP - V5 Flow rates: Bar/L per min Outlet 1	0.5/15.70	1.0/21.70	2.0/30.60	3.0/37.60	4.0/43.50	5.0/46.80	6.0/46.80
TM1HDIVIP - V5 Flow rates: Bar/L per min Outlet 2	0.5/15.70	1.0/21.80	2.0/30.20	3.0/37.20	4.0/43.00	5.0/46.81	6.0/46.81
Connection:	3/4" BSP (NPT ADAPTERS ARE INCLUDED)						
Flow Restrictor:	N/A						

*For specifications (in mm), please see reverse.*

*Further installation instructions available as a downloadable PDF on the product page  
of our website.*