

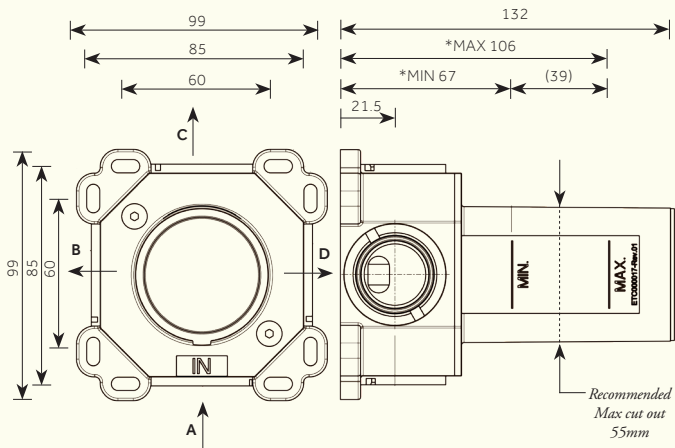


Studio/ORE

PRODUCT NAME

**Thermostat, One Hole, Three Ways Diverter
with Stop Position Internal Part**

AESTHETIC PARTS: 86|286|386|92|292|392



- A: G 3/4" WATER INLET
- B: G 3/4" FIRST OUTLET
- C: G 3/4" SECOND OUTLET
- D: G 3/4" THIRD OUTLET

For min/max operating pressures, flow rates and connection information, see reverse.

Dimensions in mm. Further installation instructions available as a downloadable PDF on the product page of our website.



Studio/ORE

PRODUCT NAME

**Thermostat, One Hole, Three Ways Diverter
with Stop Position Internal Part**

AESTHETIC PARTS: 86 286 386 92 292 392

Min/Max Operating pressure: (bars)	0.5 - 6.0						
TM1H3WDIVIP Flow rates: Bar/L per min Outlet 1	0.5/16.30	1.0/22.40	2.0/31.00	3.0/37.00	4.0/42.70	5.0/46.81	6.0/46.81
TM1H3WDIVIP Flow rates: Bar/L per min Outlet 2	0.5/16.95	1.0/32.50	2.0/32.80	3.0/40.60	4.0/46.30	5.0/46.81	6.0/46.81
TM1H3WDIVIP Flow rates: Bar/L per min Outlet 3	0.5/16.20	1.0/22.40	2.0/31.60	3.0/38.40	4.0/43.60	5.0/46.81	6.0/46.81
Connection:	3/4" BSP (NPT ADAPTERS ARE INCLUDED)						

For specifications (in mm), please see reverse.

*Further installation instructions available as a downloadable PDF on the product page
of our website.*