



PRODUCT NAME

Studio/ORE

**Shower Mono Mixer, Internal Part - V3**

AESTHETIC PARTS: 164 | 165 | 364 | 365

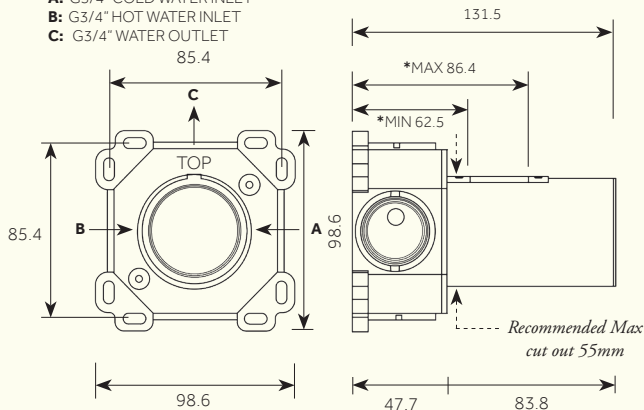
\*MIN & MAX: 164/165: 62.5mm & 86.4mm 364/365: 62.5mm & 86.4mm

(\*Distance between back of Mono Mixer body & finished surface of wall)

**A:** G3/4" COLD WATER INLET

**B:** G3/4" HOT WATER INLET

**C:** G3/4" WATER OUTLET



Min/Max Operating pressure: (bars)	2.0 - 5.0					
Flow rates: Bar/L per min	0.5/11.9	1/16.3	2/22.9	3/27.8	4/32.0	5/35.5 6/38.4
Connection:	1/2" BSP (NPT ADAPTERS ARE INCLUDED)					
Flow Restrictor:	N/A					

Dimensions in mm. Further installation instructions available as a downloadable PDF on the product page of our website.