



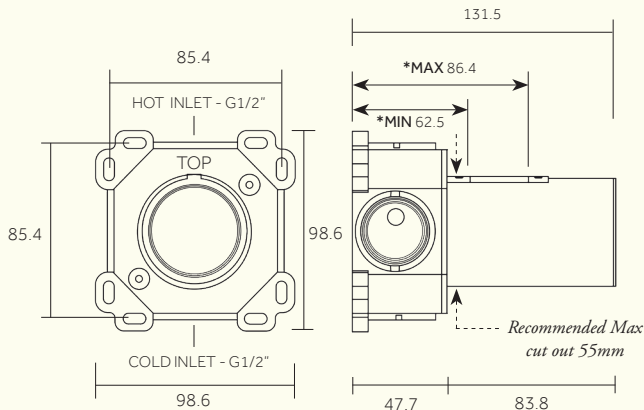
PRODUCT NAME

Studio/ORE

Shower Mono Mixer, Internal Part - V3

AESTHETIC PARTS: 35-V3 | 235-V3 | 335-V3

*MIN & MAX: 35-V3: 62.5mm & 86.4mm 235-V3: 62.5mm & 86.4mm 335-V3: 62.5mm & 86.4mm
 (*Distance between back of Internal body & finished surface of wall)



Min/Max Operating pressure: (bars)	0.5 - 6.0						
SHMNIP-V3 Flow rates: Bar/L per min:	0.5/11.9	1.0/16.3	2.0/22.9	3.0/27.8	4.0/32.0	5.0/35.5	6.0/38.4
Connection:	1/2" BSP (NPT ADAPTERS ARE INCLUDED)						

Dimensions in mm.

Further installation instructions available as a downloadable PDF on the product page of our website.