



Studio/ORE

PRODUCT NAME

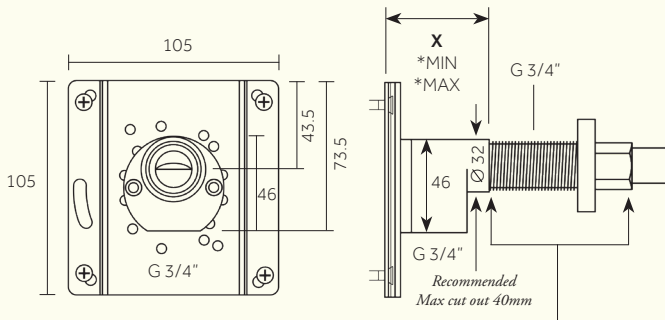
## Shower Arm Internal Part

AESTHETIC PART : 26 | 226 | 32 | 232

\*X MIN & MAX

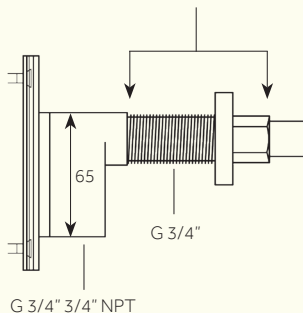
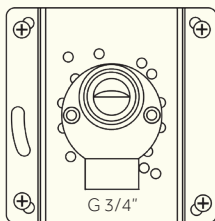
PN-26: 97mm & 97mm PN-226: 97mm & 97mm PN-32: 97mm & 97mm PN-232: 97mm & 97mm

*\*Distance between back of First Fix body and finished surface of wall or ceiling.*



**IMPORTANT NOTE:** The Thread of the Shower Arms which are pairing with this Internal Part should be cut at the opposite end to where the Olive is installed. Max cut out 40 mm.

### USA VERSION



Dimensions in mm. Further installation instructions available as a downloadable PDF on the product page of our website.