

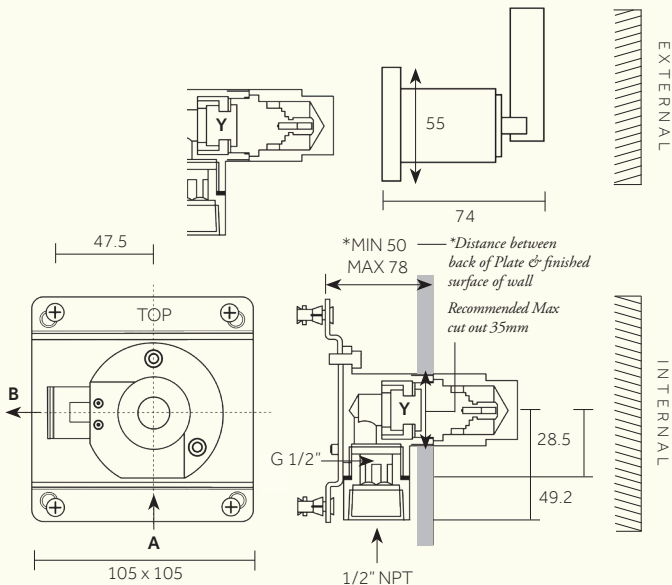
9

PRODUCT NAME

Studio/ORE

Chapter One - Wall Basin Tap Single Control

INTERNAL FIRST FIX: WBSCTIP



- A: G1/2" or 1/2" NPT Water Inlet  
 B: G1/2" or 1/2" NPT Water Outlet

Dimensions in mm. Further installation instructions available as a downloadable PDF on the product page of our website.

Min/Max Operating pressure: (bars)	2.0 - 5.0
Connection:	1/2" BSP (NPT ADAPTERS ARE INCLUDED)
Flow Restrictor:	N/A