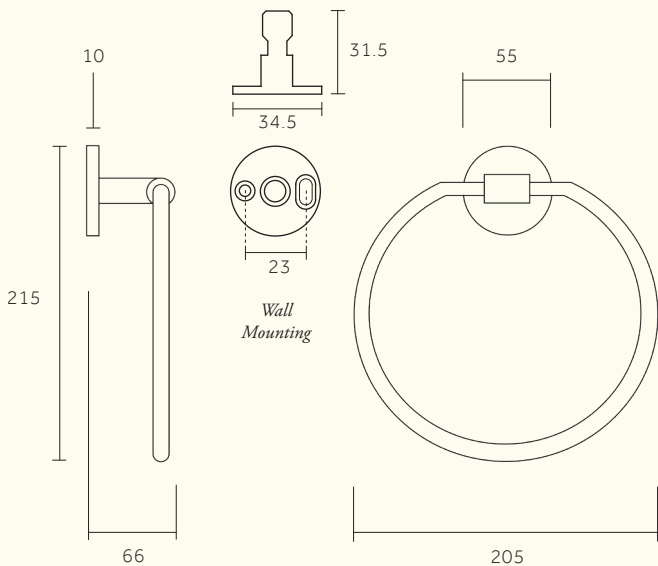


71

PRODUCT NAME

Chapter One, Chapter Three - Towel Ring



Dimensions in mm. Further installation instructions available as a downloadable PDF on the product page of our website.