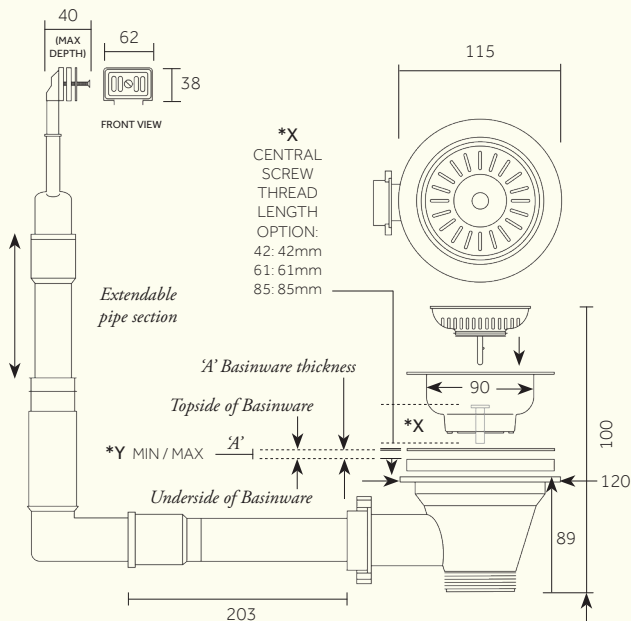


56

Studio/ORE

PRODUCT NAME

# Chapter One, Chapter Two, Chapter Three - Kitchen Strainer with Rectangular Overflow



Supplied uninstalled depth; to increase depending on Basinware thickness 'A'

\*Y MIN & MAX VARY DEPENDING ON CENTRAL SCREW INSTALLED:

42: MIN 0 / MAX 30    61: MIN 0 / MAX 49    85: MIN 43 / MAX 73

Dimensions in mm. Further installation instructions available as a downloadable PDF on the product page of our website.