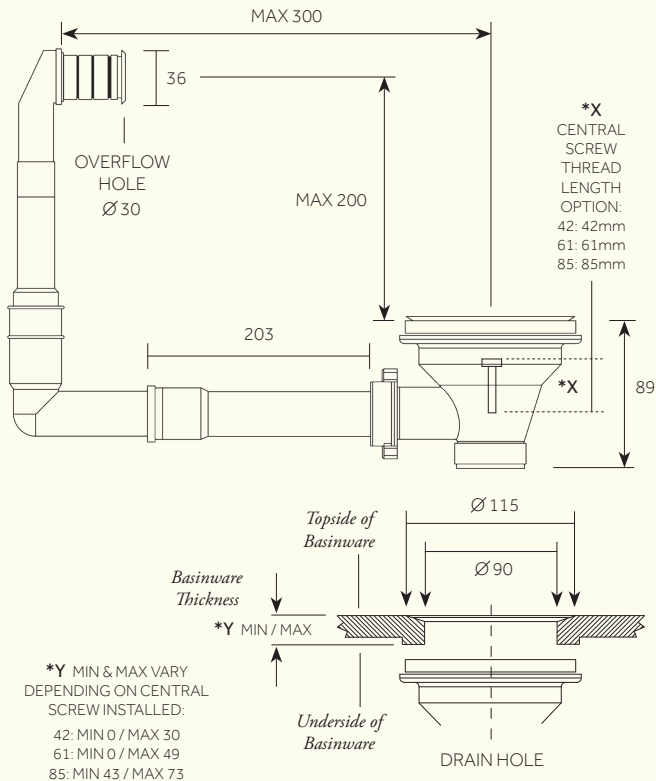


54

Studio/ ORE

PRODUCT NAME

Chapter One, Chapter Two, Chapter Three - Kitchen Strainer with Circular Overflow



Dimensions in mm. Further installation instructions available as a downloadable PDF on the product page of our website.