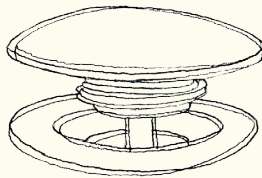
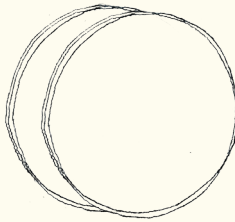


# Bath Waste With Overflow and Rotational Control



***Important information:***

To ensure this product is installed properly you must read and follow these guidelines.

The owner/user of this product must keep this information for future reference.

This product must be installed by a professional licensed contractor.

Only use a strap wrench or protected smooth jaw on any finished surface.

**ORE**

## Guarantee and Aftercare

When installing or using tools, extra care must be taken to avoid damaging the finish or fitting. To maintain the appearance, please ensure it is cleaned regularly using a clean soft damp cloth only. Abrasive cleaners or detergents must not be used as they may cause surface deterioration. The company provides a guarantee against faulty material or manufacture excluding serviceable parts, providing they have been installed, cared for and used in accordance with our instructions.

More information on our Warranty and Aftercare can be found on our website.

The company reserves the right to continually evolve its product lines without notification.

The company will not accept any liability regarding specification changes and their consequences unless previously quoted by the company in writing.

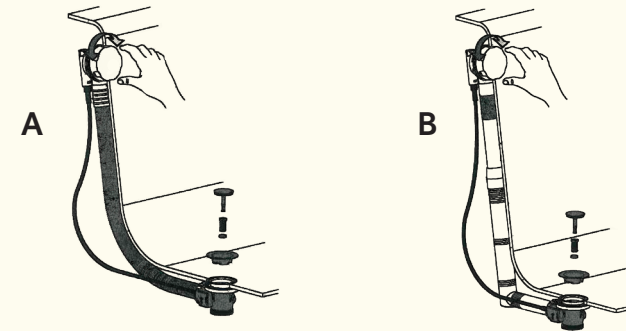
## Installation Procedure

This product is suitable for bath tub thicknesses of between 5mm and 15mm.

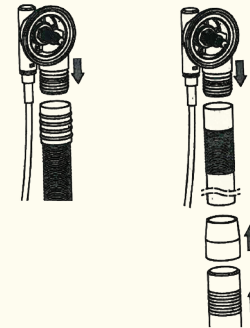
Before installation, check that all components are included, and that the bath tub surface is flat and clean. Always use a suitable sealant.

Operating temperatures are between 60° C and minus 5° C.

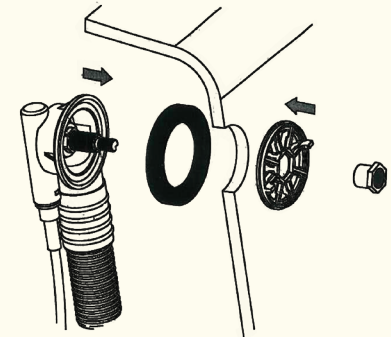
1. Remove the Push Button lid/cover and put to one side.
  2. Remove the waste flange from the waste body, place the silicone washer over the bath tub hole and pass the waste flange through the silicone washer and the bath tub hole.
  3. Screw the waste body on to the waste flange with rubber washer from beneath, and tighten.
  4. Place the overflow unit, rubber washer and foam gasket on to the back of the bath tub covering the bath tub hole. Pass the overflow cover through the hole of the front surface of the bath tub, connect to the overflow body thread and lock/tighten in to position.
- NOTE: apply a suitable sealant to the rubber washer and leave for 24 hours to avoid leaks.**
5. Connect the hose to the overflow body and tighten the screw with a Phillips screwdriver.  
To avoid damage **DO NOT OVER-TIGHTEN.**
  6. Cut the hose to the desired length and **DO NOT FOLD THE HOSE** as this will cause damage.  
Ensure the hose is **NOT** distorted.
  7. Connect the hose to the waste body by tightening the plastic nut ensuring the hose is **NOT** distorted. Re-install the lid/cover to the waste flange from above.
  8. Once the installation is complete, fill the bath tub with water, check for leaks and leave for 8 hours. Re-check for leaks.



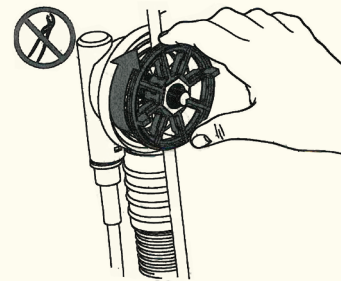
1



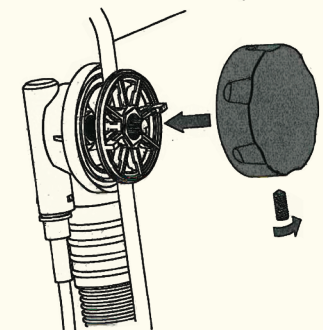
2



3

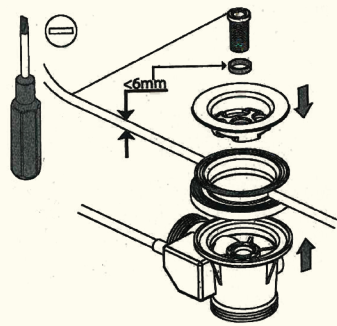


4

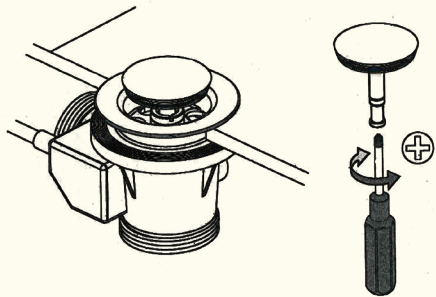


Continued...

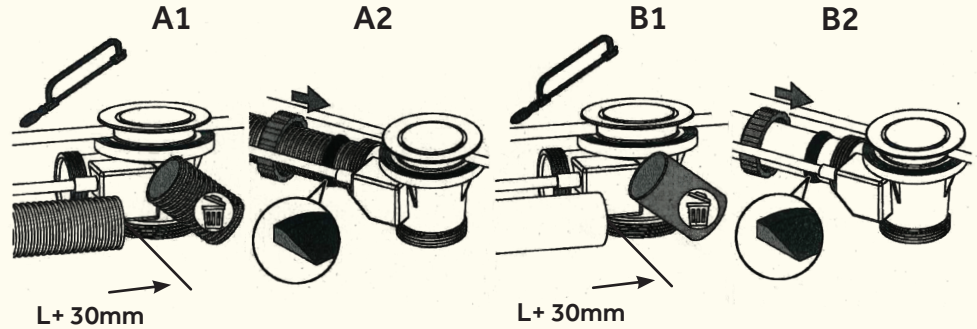
5



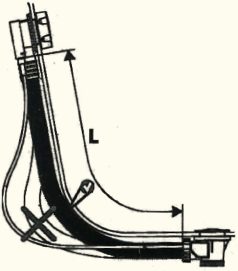
6



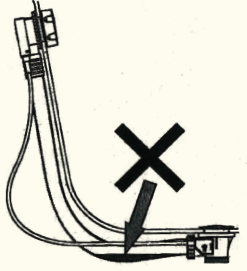
10



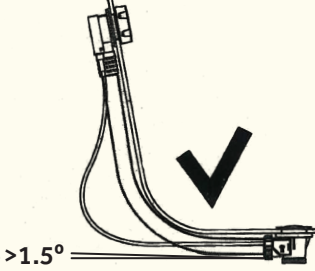
7



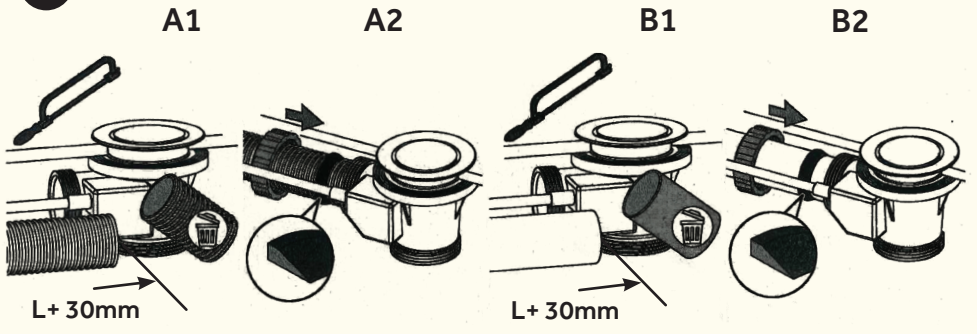
8



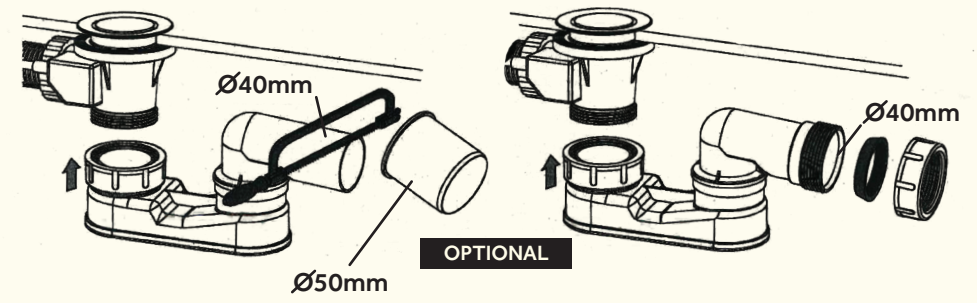
9



11



12

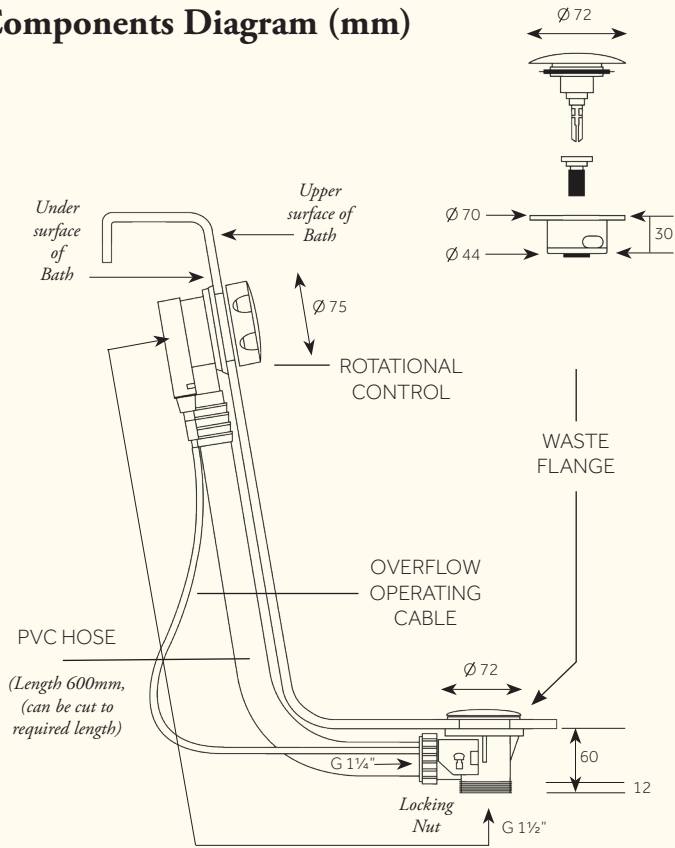


**CLEANING**

Abrasive cleaners and detergents MUST NOT be used!

✓  WATER	✓  ALCOHOL	✓  MICROFIBRE	X  SPONGE	X  DETERGENT
--	--	---	---	--

# Components Diagram (mm)



**ORE**