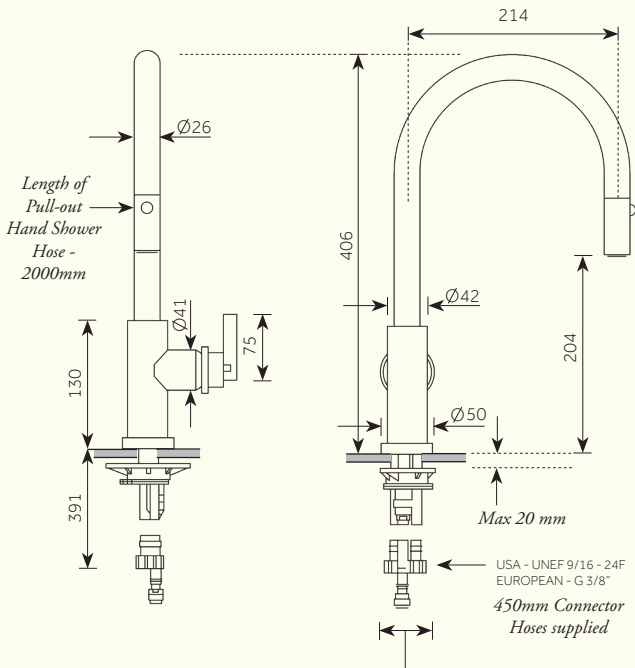


42

PRODUCT NAME

Chapter One - Deck Mounted Kitchen Mixer with Pull Out Hand Shower



Recommended Max cut out 35mm

For min/max operating pressures, flow rates and connection information, please see reverse.

Chapter One - Deck Mounted Kitchen Mixer with Pull Out Hand Shower

Min/Max Operating pressure: (bars)	0.5 - 6.0					
Flow rates: Bar/L per min (Aerator)	1/3.8	2/5.6	3/7.0	4/8.2	5/9.25	6/10.2
Flow rates: Bar/L per min (Spray)	1/3.5	2/5.3	3/6.6	4/7.8	5/8.8	6/9.7
Connection:	USA - UNEF 9/16 - 24F (OR) EUROPE - G 3/8"					
Flow Restrictor:	MICROEVO (8L per min @ 3 Bar)					

For specifications (in mm), please see reverse.

Further installation instructions available as a downloadable PDF on the product page of our website.