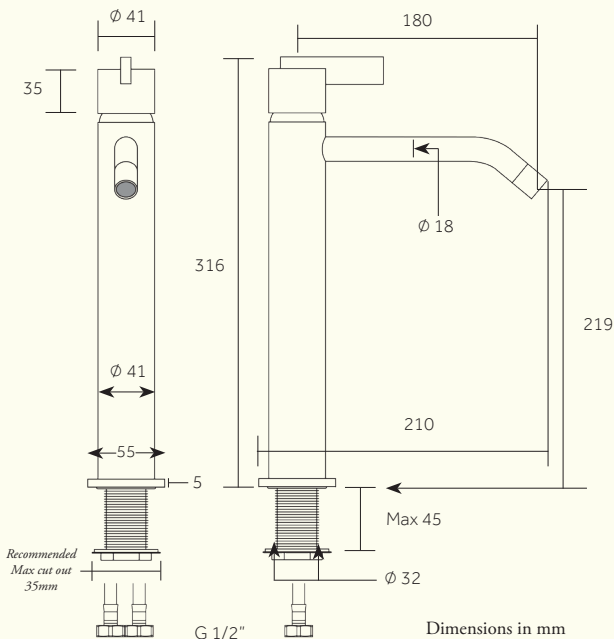


347

PRODUCT NAME

**Modern Tall Basin Pillar Tap**

*Studio/ORE*



Min/Max Operating pressure: (bars)	2.0 - 5.0					
Flow rates: Bar/L per min	0.5/5.5	1/6.5	1.5/7.5	2/8.3	2.5/8.3	3/8.3
Connection:	1/2" BSP (NPT ADAPTERS ARE INCLUDED)					
Flow Restrictor:	Class A (15L per min)					

*Further installation instructions available as a downloadable PDF on the product page of our website.*