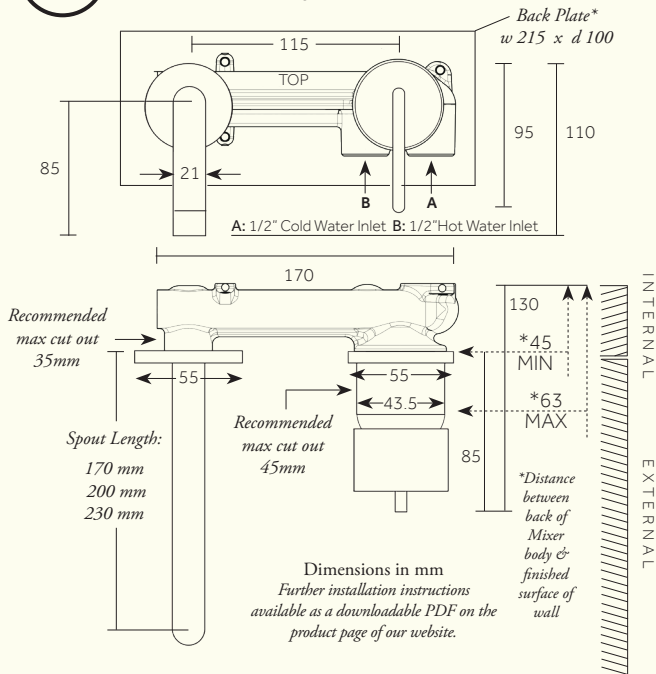


3201

PRODUCT NAME
Modern Two Hole Mixer (with Back Plate)
 INTERNAL FIRST FIX: W2HMIXIP-V2

Studio/ORE



Min/Max Operating pressure: (bars)	2.0 - 5.0					
Flow rates: Bar/L per min (with Aerator)	0.5/4.9	1/6.5	2/8.4	3/8.2	4/7.8	5/7.8
Flow rates: Bar/L per min (without Aerator)	0.5/10.3	1/14.2	2/19.8	3/24.1	4/27.9	5/31
Connection:	1/2" BSP (NPT ADAPTERS ARE INCLUDED)					
Flow Restrictor:	5.0 - 8.0 LTR PCA (8L per min)					

*Back Plate fixes to front of wall. Handle is also available as a Steam Wheel or Lever. Not shown in diagram.