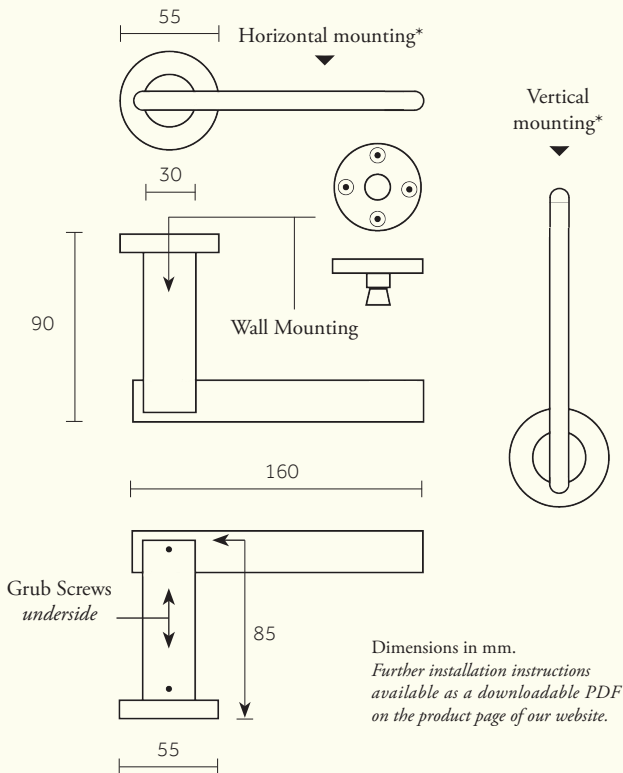


31

PRODUCT NAME

**Chapter One - Spare Toilet Roll Holder**



Dimensions in mm.  
 Further installation instructions  
 available as a downloadable PDF  
 on the product page of our website.

\*Can be mounted either vertically or horizontally, (to the left side or right side if the horizontal option is chosen). A Hooked option is also available, Product 30.