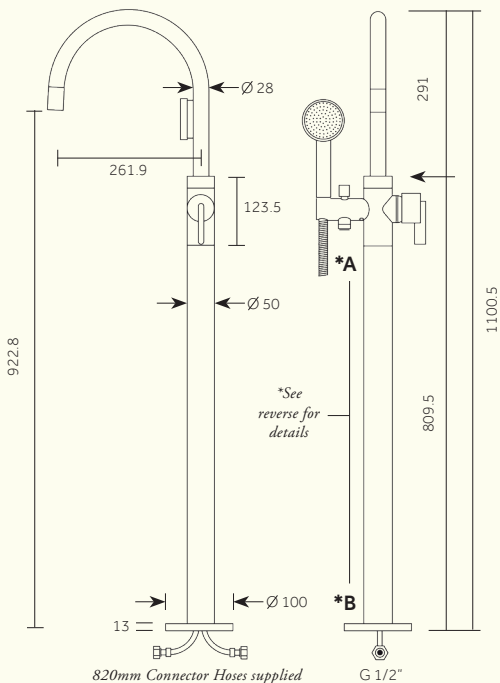


319  
V2

PRODUCT NAME

**Chapter Three - Floor Mounted Bath Mixer  
with Hand Shower - V2**



*For min/max operating pressures, connection, flow rate information and specific detailed measurements (\*A \*B), please see reverse.*

Dimensions in mm.

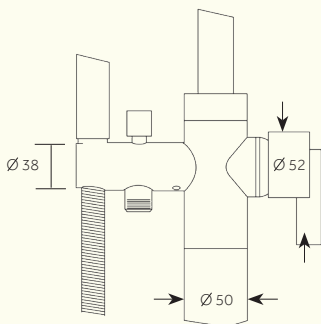
*Further installation instructions available as a downloadable PDF on the product page of our website.*

319  
V2

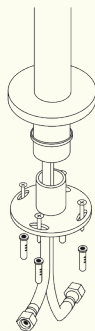
PRODUCT NAME

**Modern Floor Mounted Bath Mixer  
with Hand Shower - V2**

\*A



\*B



Min/Max Operating pressure: (bars)	0.5 - 3.0					
Flow rates: Bar/L per min Spout Outlet	0.5/5	1/8	1.5/10.5	2/12	2.5/13.5	3/14.5
Flow rates: Bar/L per min Hand Held Shower Outlet	0.5/5	1/7	1.5/8.5	2/9.5	2.5/10.2	3/10.5
Connection:	1/2" BSP (NPT ADAPTERS ARE INCLUDED)					
Aerator Flow Restrictor:	Spout: Cascade M22/24 (22.8-25.2 L per min @ 3 Bar)			Shower: 8Ltr PCW01 (8L per min)		

*For specifications (in mm), please see reverse.*

*Further installation instructions available as a downloadable PDF on the product page of our website.*