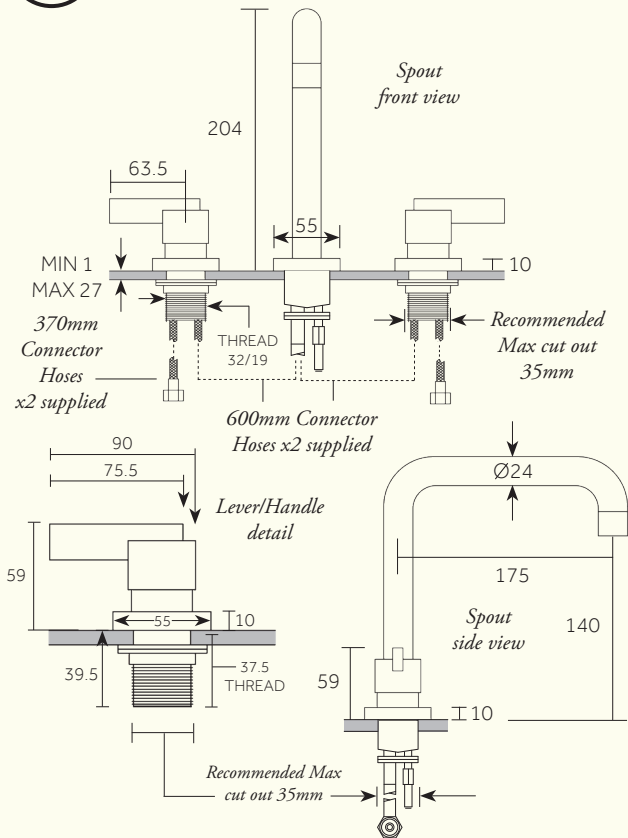


318

Studio/ ORE

PRODUCT NAME

Modern Deck Mounted Basin Taps & Spout



Dimensions in mm. See reverse for Flow Rate & Connection Specifications.
Further installation instructions available as a downloadable PDF on the product page of our website.

318

Studio/ ORE

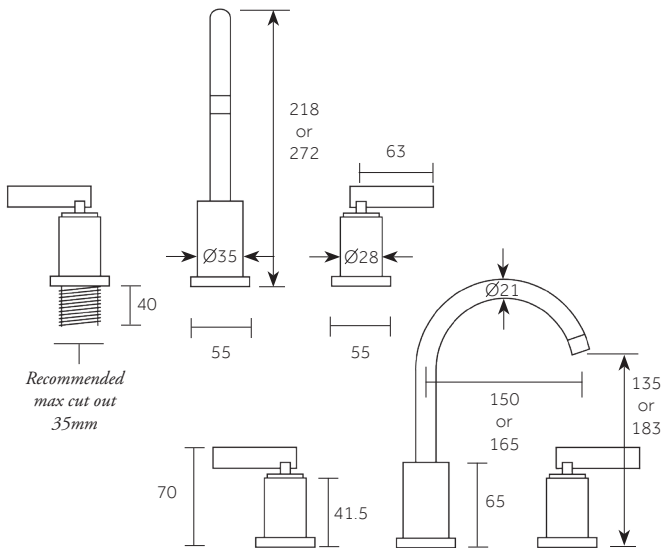
PRODUCT NAME

Modern Deck Mounted Basin Taps & Spout

| | |
|---------------------------------------|--------------------------------------|
| Min/Max Operating pressure: (bars) | 2.0 - 5.0 |
| Connection: | 1/2" BSP (NPT ADAPTERS ARE INCLUDED) |
| Aerator: | 5.0 - 8.0 L PCA (8 L per min) |

See reverse for Dimensions in mm.

*Further installation instructions available as a downloadable PDF
on the product page of our website.*



| | | | | | | |
|---|---|--------------|---------------|---------------|--------------|---------------|
| Min/Max Operating pressure: (bars) | 2.0 - 5.0 | | | | | |
| Flow rates: Bar/L per min (With Aerator) | 0.5/4.3 | 1/6.9 | 2/7.9 | 3/8.9 | 4/8.1 | 5/8.1 |
| Flow rates: Bar/L per min (Without Aerator) | 0.5/6.9 | 1/9.6 | 2/13.4 | 3/16.4 | 4/19 | 5/21.2 |
| Connection: | 1/2" BSP (NPT ADAPTERS ARE INCLUDED) | | | | | |
| Aerator: | 5.0 - 8.0 L PCA (8 L per min) | | | | | |