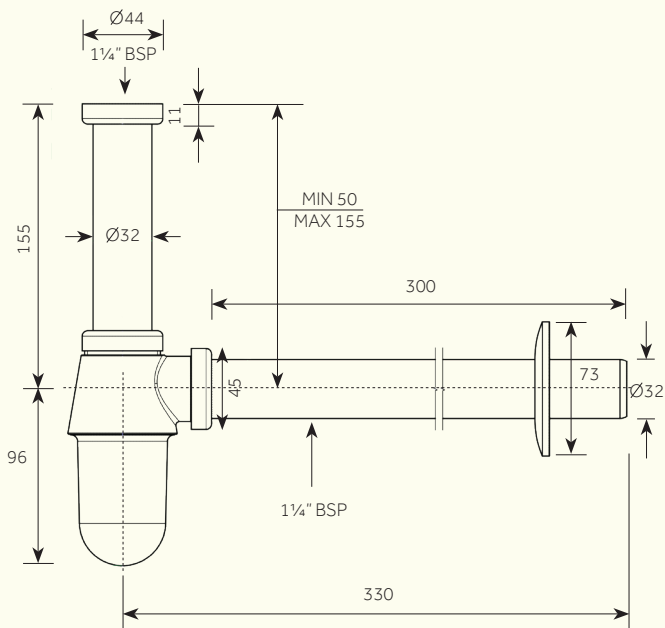


288

PRODUCT NAME

## Chapter Two - Basin Bottle Trap



Dimensions in mm. Further installation instructions are available as a downloadable PDF on the product page of our website.