

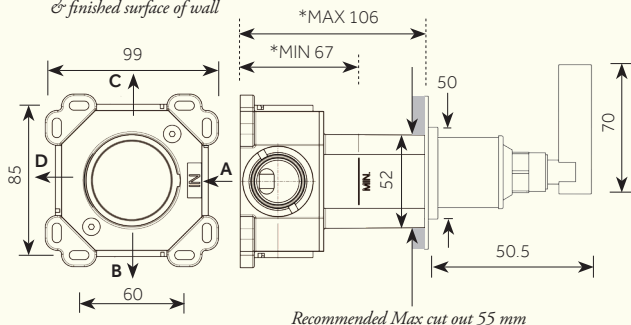
286

PRODUCT NAME

**Chapter Two - Wall Mounted Three Ways Diverter
with Stop Position & Backplate**

INTERNAL FIRST FIX: TM1H3WDIVIP

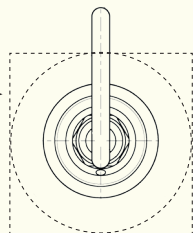
**Min Max distances between
centre of outlet/inlet
& finished surface of wall*



- A:** G3/4" WATER INLET
- B:** G3/4" WATER OUTLET
- C:** G3/4" WATER OUTLET
- D:** G3/4" WATER OUTLET

Back Plate Options:

- SQ / CR: 75 mm
- SQ / CR: 100 mm



*For min/max operating pressures, flow rates and connection specifications,
please see reverse.*

Dimensions in mm. Further installation instructions available as a downloadable PDF
on the product page of our website.

286

PRODUCT NAME

Chapter Two - Wall Mounted Three Ways Diverter with Stop Position & Backplate

INTERNAL FIRST FIX: TM1H3WDIVIP

Min/Max Operating pressure: (bars)	0.5 - 6.0						
Flow rates: Bar/L per min (OUTLET 1)	0.5/16.30	1/22.40	2/31.00	3/37.00	4/42.70	5/46.81	6/46.81
Flow rates: Bar/L per min (OUTLET 2)	0.5/16.95	1/23.50	2/32.80	3/40.60	4/46.30	5/46.81	6/46.81
Flow rates: Bar/L per min (OUTLET 3)	0.5/16.20	1/22.40	2/31.60	3/38.40	4/43.60	5/46.81	6/46.81
Connection:	3/4" BSP (NPT ADAPTERS ARE INCLUDED)						
Flow Restrictor:	N/A						

For Specifications in mm, please see reverse for details.

Further installation instructions available as a downloadable PDF on the product page of our website.