

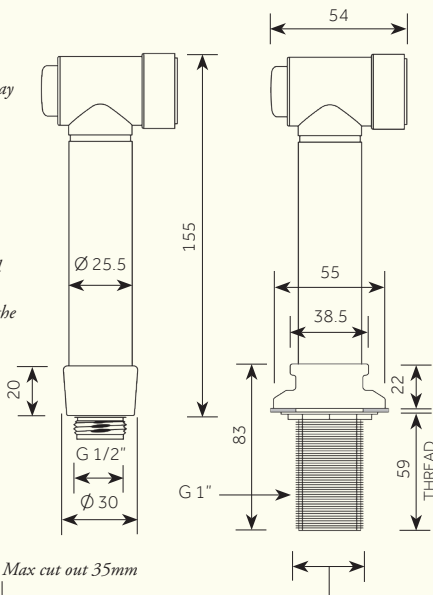
285

PRODUCT NAME

Chapter Two - Kitchen Hand Rinse

Supplied as a cold spray only, can be installed with an under counter pre-mixing Thermostatic Valve. A pressure reducing valve is supplied with this product. It MUST be installed and set to 1 Bar. Installation between the water source and the Hand Spray.

**PVC 150cm Flexible Hose is included*



Min/Max Operating pressure: (bars)	2.0 - 5.0									
Flow rates: Bar / L per min	0.5/6.2	1/8.6	1.5/10.7	2/12.4	2.5/13.9	3/15.2	3.5/16.3	4/17.5	4.5/18.6	5/19.6
Connection:	1/2" BSP (NPT ADAPTERS ARE INCLUDED)									
Flow Restrictor:	PCW-01 (8L per min)									

Dimensions in mm. Further installation instructions available as a downloadable PDF on the product page of our website.