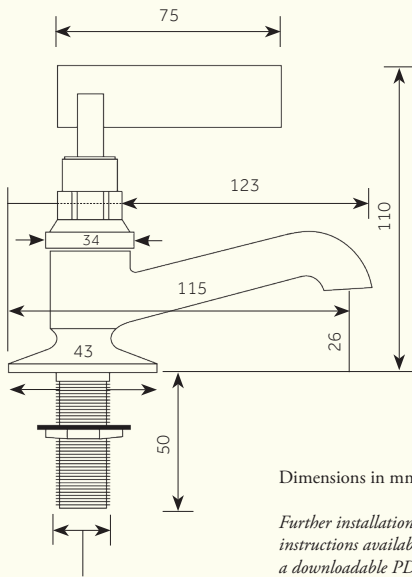


248

Studio/ORE

PRODUCT NAME

Chapter Two - Singular Deck Mounted Basin Tap



Recommended  
max cut out 25

Dimensions in mm.

Further installation  
instructions available as  
a downloadable PDF  
on the product page  
of our website.

Min/Max Operating pressure: (bars)	2.0 - 5.0					
Flow rates: Bar/L per min	0.5/9.9	1/13.7	2/19.2	3/23.3	4/26.9	5/30
Connection:	1/2" BSP (NPT ADAPTERS ARE INCLUDED)					
Flow Restrictor:	N/A					