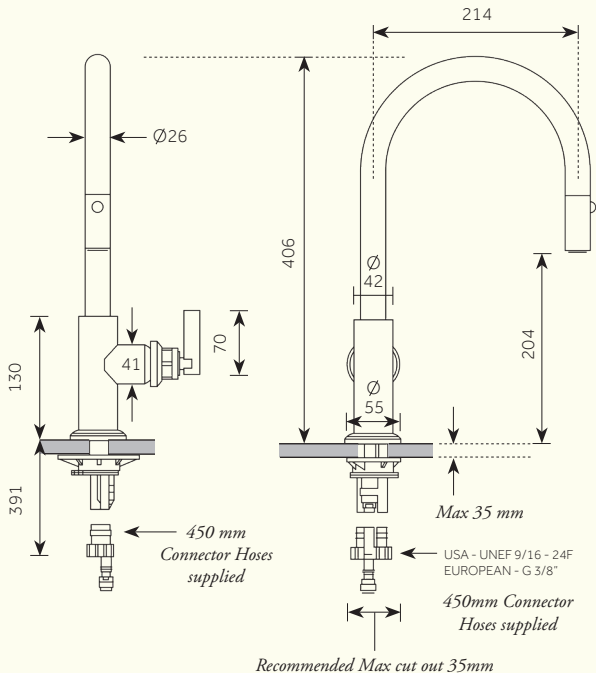


242

PRODUCT NAME

Chapter Two - Deck Mounted Kitchen Mixer
with Pull Out Hand Shower



For min/max operating pressures, flow rates and connection information,
please see reverse.

Dimensions in mm. Further installation instructions available as a downloadable PDF
on the product page of our website.

242

PRODUCT NAME

Chapter Two - Deck Mounted Kitchen Mixer with Pull Out Hand Shower

Min/Max Operating pressure: (bars)	0.5 - 6.0					
Flow rates: Bar/L per min (Aerator)	1 / 3.8	2 / 5.6	3 / 7.0	4 / 8.2	5 / 9.25	6 / 10.2
Flow rates: Bar/L per min (Spray)	1 / 3.5	2 / 5.3	3 / 6.6	4 / 7.8	5 / 8.8	6 / 9.7
Connection:	USA - UNEF 9/16 - 24F (OR) EUROPE - G 3/8"					
Flow Restrictor:	MICROEVO (8L per min @ 3 Bar)					

For specifications (in mm), please see reverse.

Further installation instructions available as a downloadable PDF on the product page of our website.