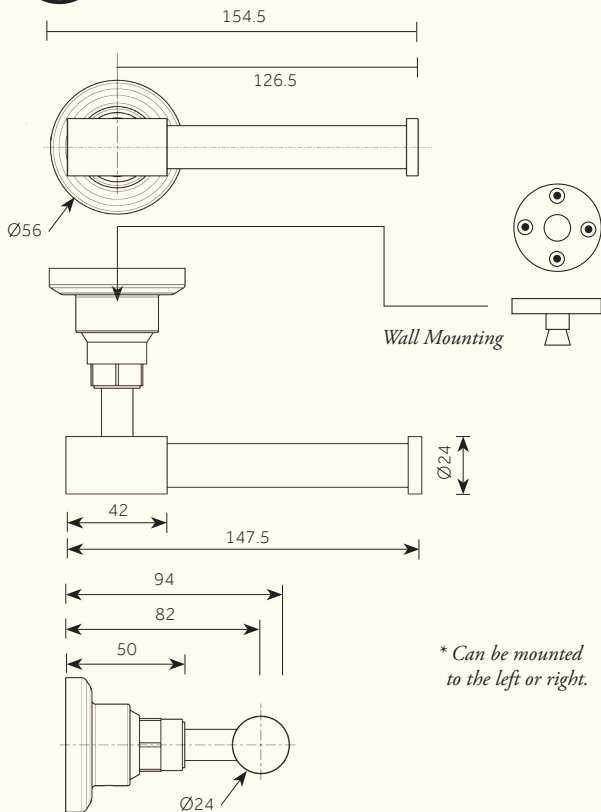


230

PRODUCT NAME

## Chapter Two - Toilet Roll Holder



Dimensions in mm. Further installation instructions available as a downloadable PDF on the product page of our website.