

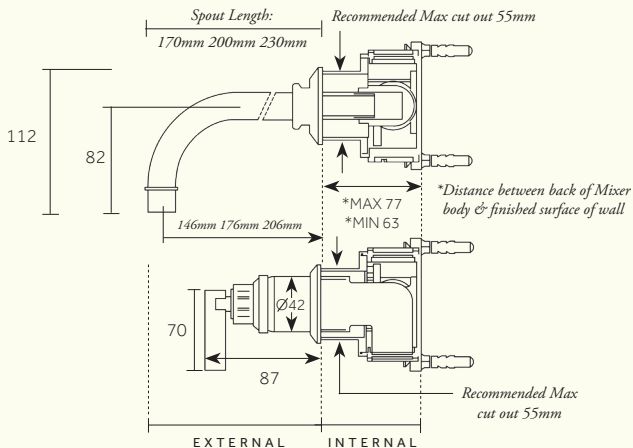
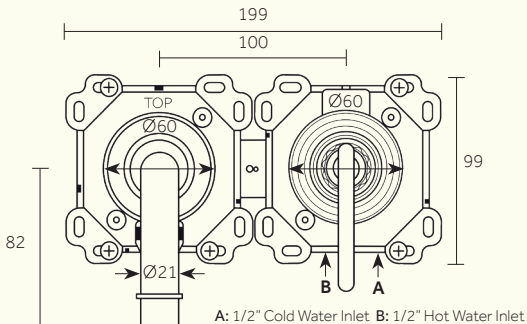
220  
V3

Studio/ORE

PRODUCT NAME

**Chapter Two - Wall Mounted Two Hole Mixer -V3**

INTERNAL FIRST FIX: W2HMIXIP-V3



For min/max operating pressures, flow rates and connection information, please see reverse.  
Dimensions in mm. Further installation instructions available as a downloadable PDF  
on the product page of our website.

220  
V3

PRODUCT NAME

**Chapter Two - Wall Mounted Two Hole Mixer -V3**

INTERNAL FIRST FIX: W2HMIXIP-V3

*Studio/* **ORE**

Min/Max Operating pressure: (bars)	2.0 - 5.0						
Flow rates: Bar/L per min (with Aerator)	0.5/11.5	1/16.2	2/23.0	3/28.0	4/32.3	5/36.0	6/39.0
Connection:	1/2" BSP (NPT ADAPTERS ARE INCLUDED)						
Flow Restrictor:	5.0 - 8.0 LTR PCA (8L per min)						

PLEASE NOTE: This product is available with 'Back Plate', 2201 for fixing to wall.

*For specifications (in mm), please see reverse.*

*Further installation instructions available as a downloadable PDF on the product page of our website.*