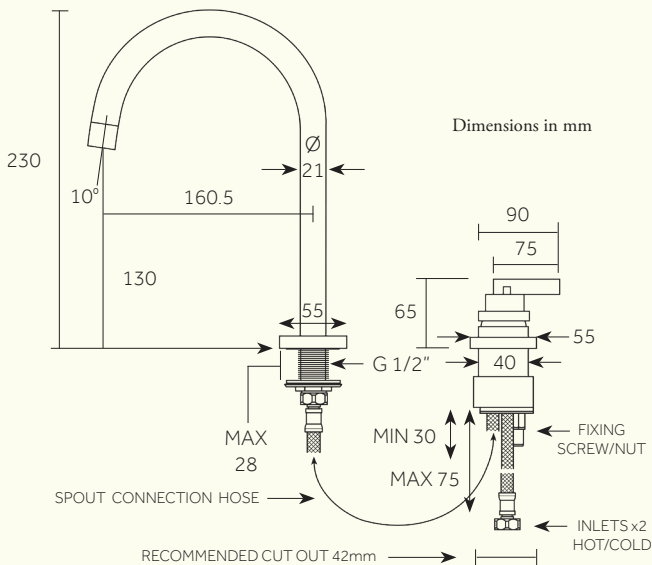


21

PRODUCT NAME

Deck Mounted Two Hole Mixer



Min/Max Operating pressure: (bars)	0.5 - 5.0					
Flow rates: Bar/L per min (with Aerator)	0.5/3.8	1/5.4	1.5/6.6	2/7.6	2.5/8.5	3/9.3
Flow rates: Bar/L per min (without Aerator)	0.5/5.2	1/7.2	2/10	3/12.5	4/14.2	5/15.8
Connection:	1/2" BSP (NPT ADAPTERS ARE INCLUDED)					
Flow Restrictor:	5.0- 8.0 LTR PCA (8L per min)					

Further installation instructions available as a downloadable PDF on the product page of our website.