

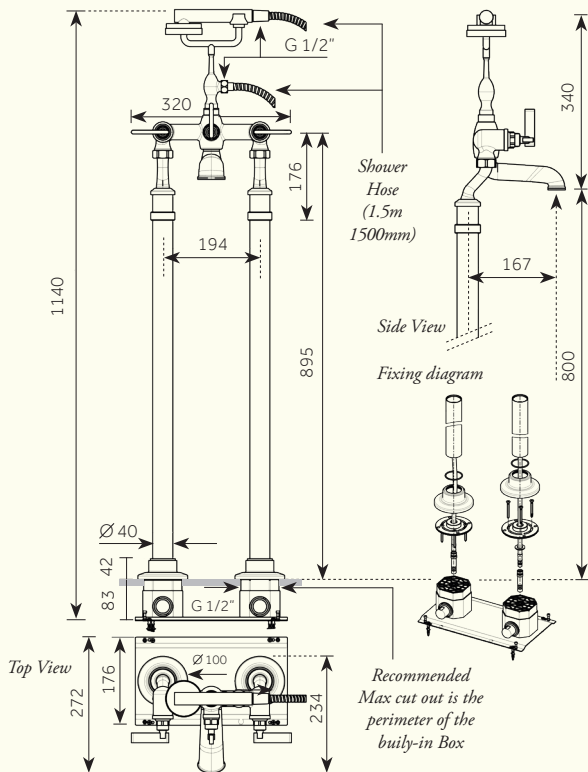
215
VI

PRODUCT NAME

Studio/ORE

**Chapter Two - Floor Mounted Bath Mixer
with Hand Shower - V1**

INTERNAL FIRST FIX: FMBAMIP



Dimensions in mm: For Flow Rate information (Bar/L per min) please see reverse. Further installation instructions available as a downloadable PDF on the product page of our website.

215
V1

Studio/ORE

PRODUCT NAME

**Chapter Two - Floor Mounted Bath Mixer
with Hand Shower**

INTERNAL FIRST FIX: FMBAMIP

Min/Max Operating pressure: (bars)	1.0 - 5.0						
Flow rates: Bar/L per min	0.5/20.4	1/28	1.5/34	2/39.1	2.5/43.9	3/47.9	3.5/51.8
Connection:	1/2" BSP (NPT ADAPTERS ARE AVAILABLE)						
Flow Restrictor:	N/A						

For dimensions in mm, please see reverse. Further installation instructions available as a downloadable PDF on the product page of our website.