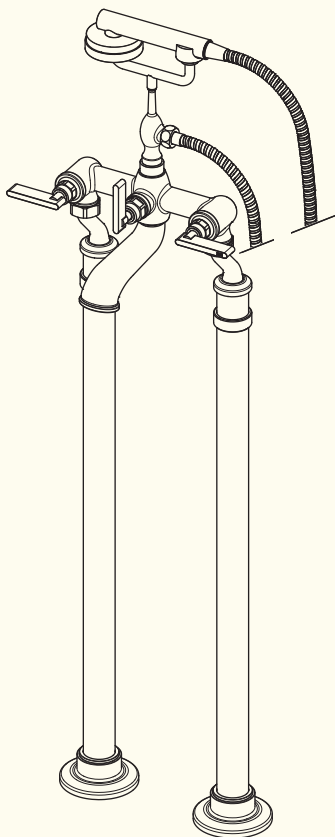


Floor Mounted Bath Mixer



Important information:

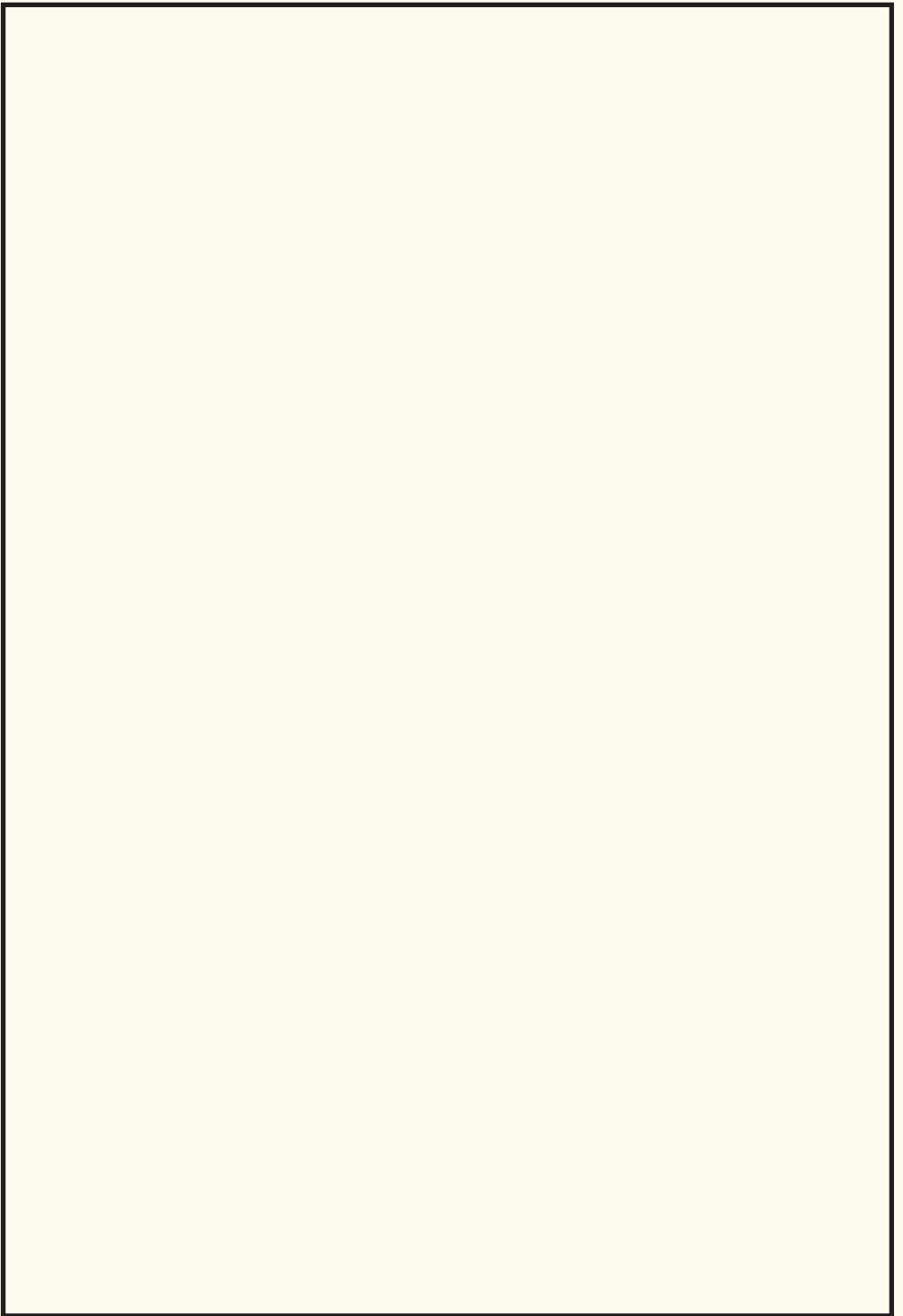
To ensure this product is installed properly you must read and follow these guidelines.

The owner/user of this product must keep this information for future reference.

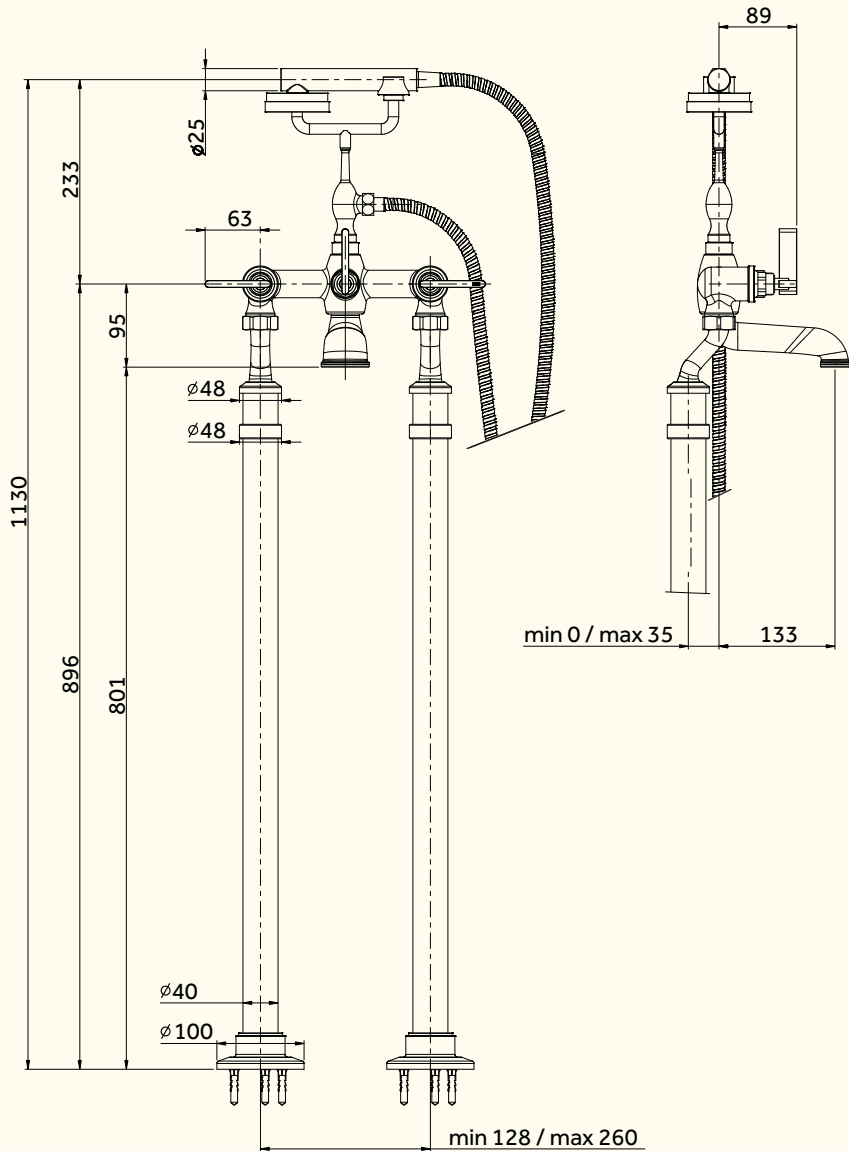
This product must be installed by a professional licensed contractor.

Only use a strap wrench or protected smooth jaw on any finished surface.

ORE



Pre-Installation Information



Pre-Installation Information

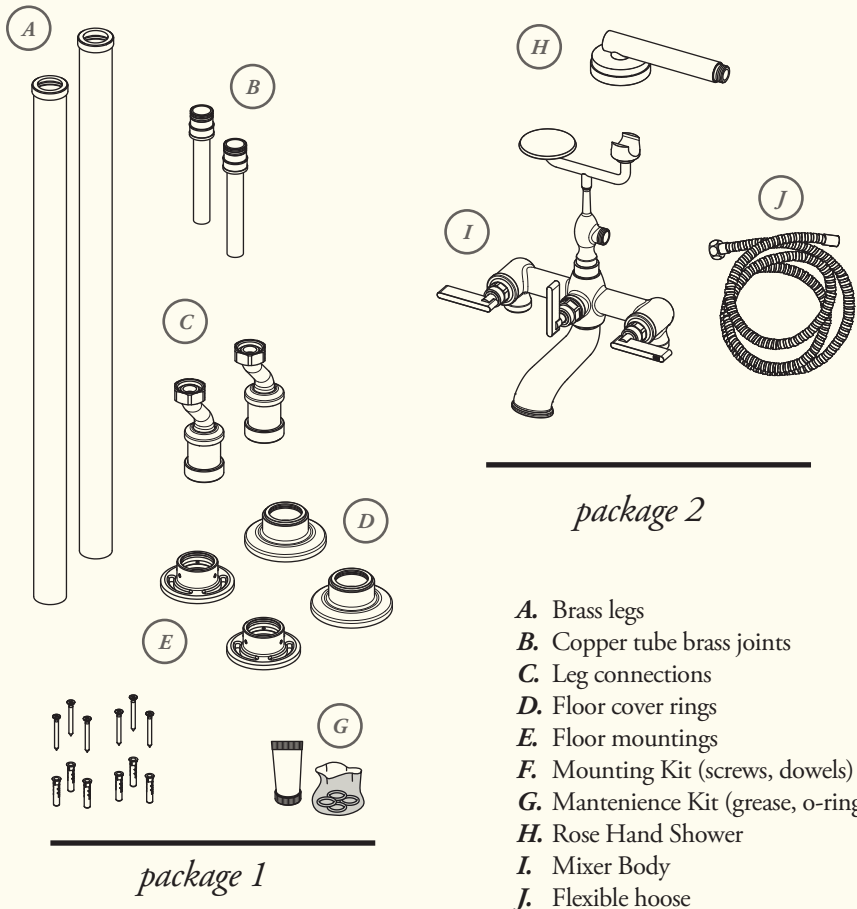
Before Installation and setting to work:

Rinse carefully feeding pipes to avoid damaging of internal devices like cartridges also o-rings and seal gaskets. Remember to rinse the aerator before the setting to work. Filters should be installed also on the general system. Please use gloves or clena hands for installing the product, the material

Technical Data:

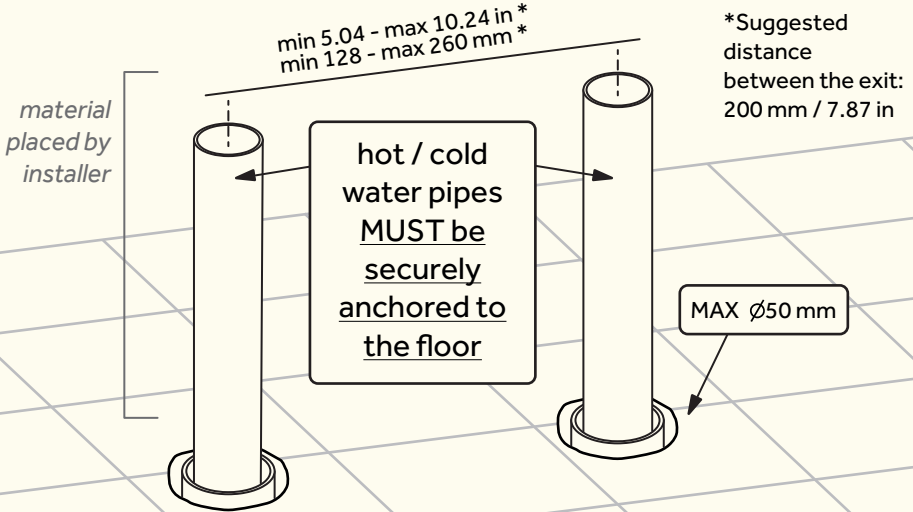
- Maximum working pressure 5 bar
- Recommended working pressure 3 bar (install pressure reducer in case of pressure higher than 5 bar)

Package Content:

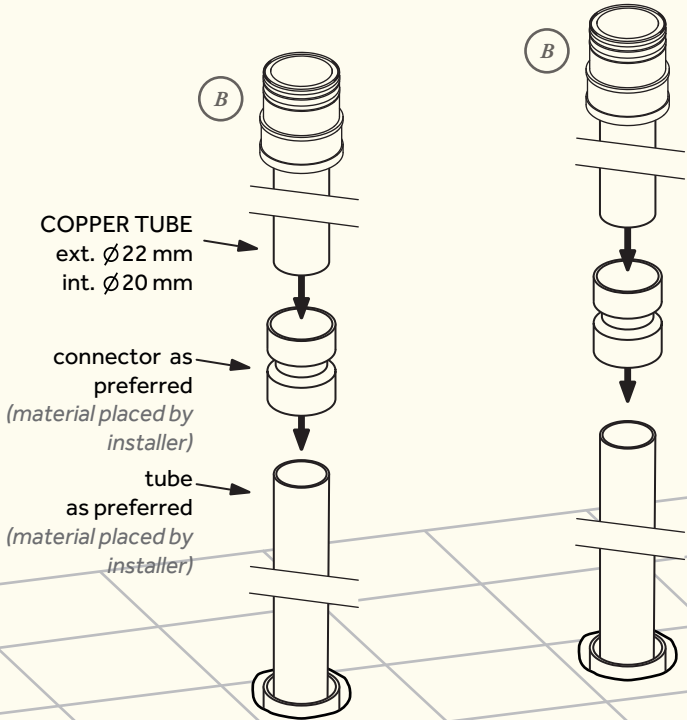


- A. Brass legs
- B. Copper tube brass joints
- C. Leg connections
- D. Floor cover rings
- E. Floor mountings
- F. Mounting Kit (screws, dowels)
- G. Maintenance Kit (grease, o-rings)
- H. Rose Hand Shower
- I. Mixer Body
- J. Flexible hose

Pre-Installation Information



1

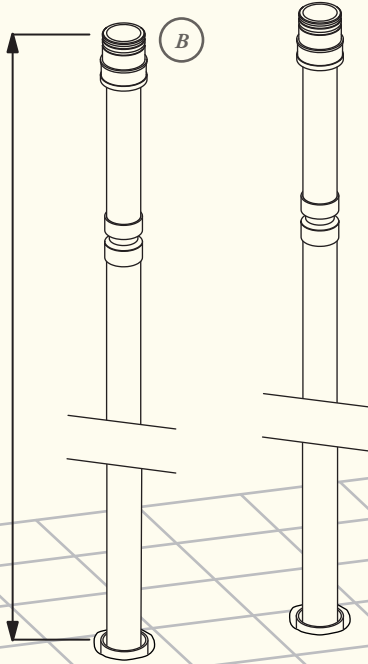


2

* **Height**
from **finished**
floor surface
to the **top**
of the **brass**
connetor:

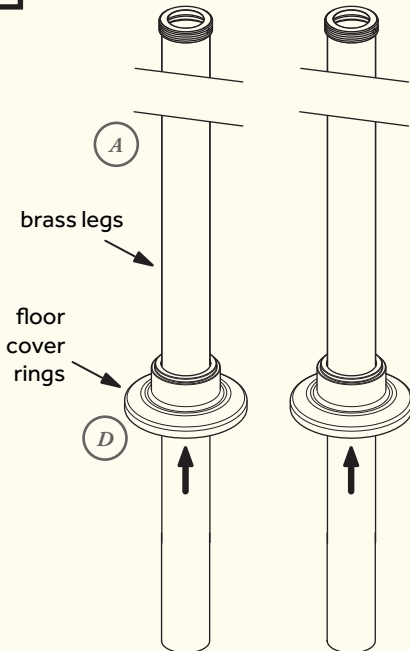
min h 748
max h 753
(mm)

min h 29.4
max h 29.6
(in)

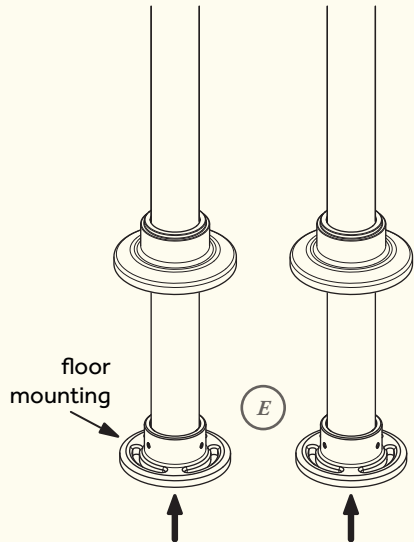


* The reported
height above
the finish floor
surface is critical
and must be
respected.

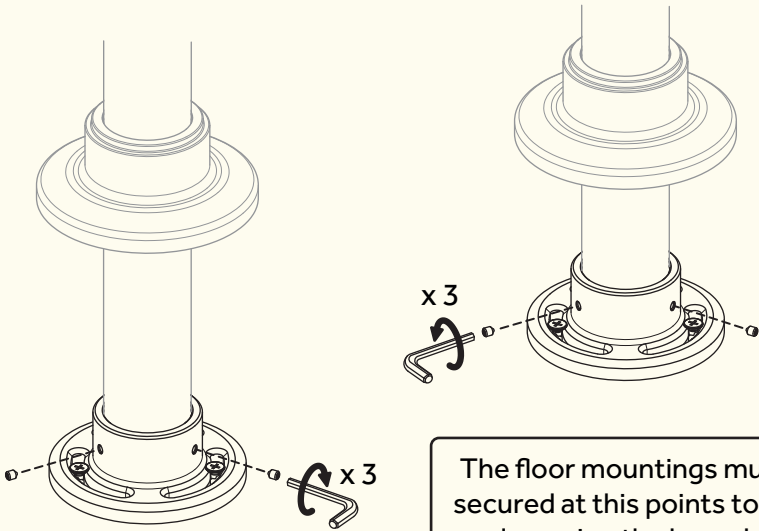
3



4



5

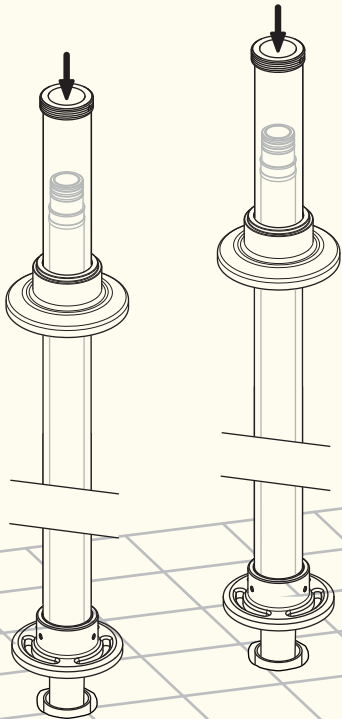


The floor mountings must be secured at this points to avoid damaging the brass legs

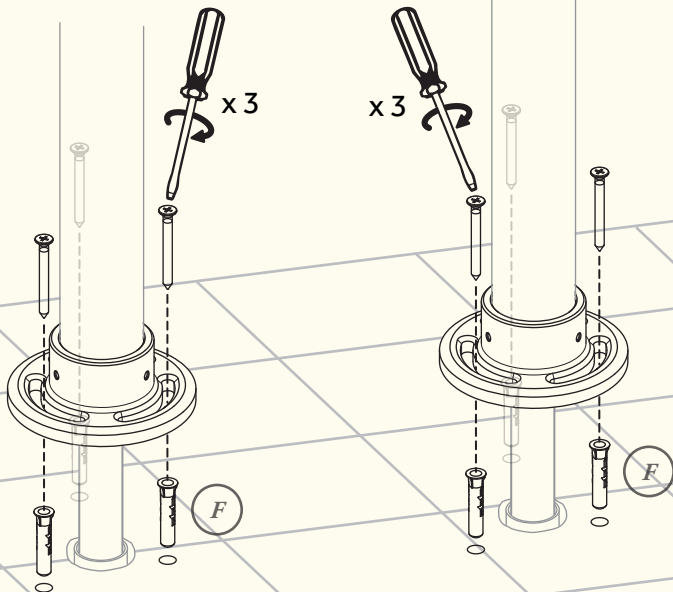
6

The brass legs have to slide over the water pipes secured on the floor.

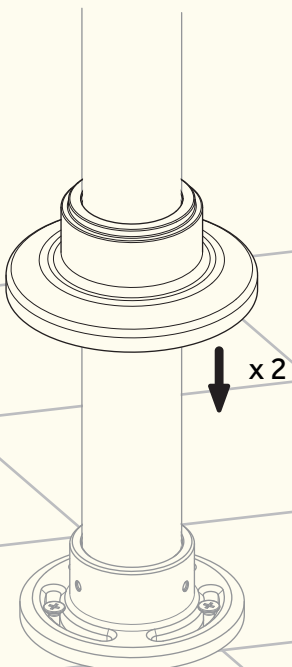

Be careful not to damage the brass legs with the cover rings



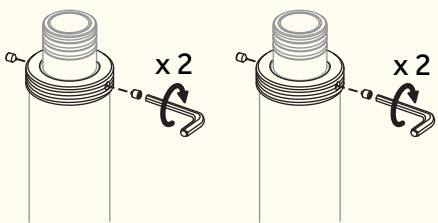
7



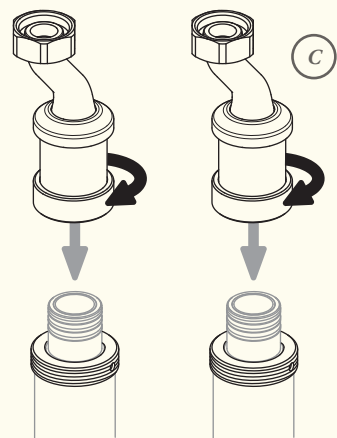
8



9



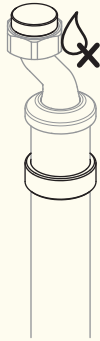
10



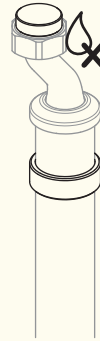
11

Water test for leakage check after mounting the two legs.

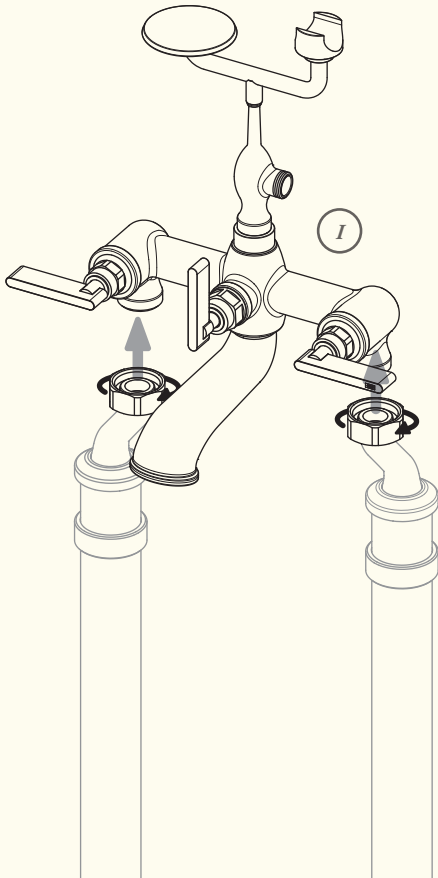
G1" LID



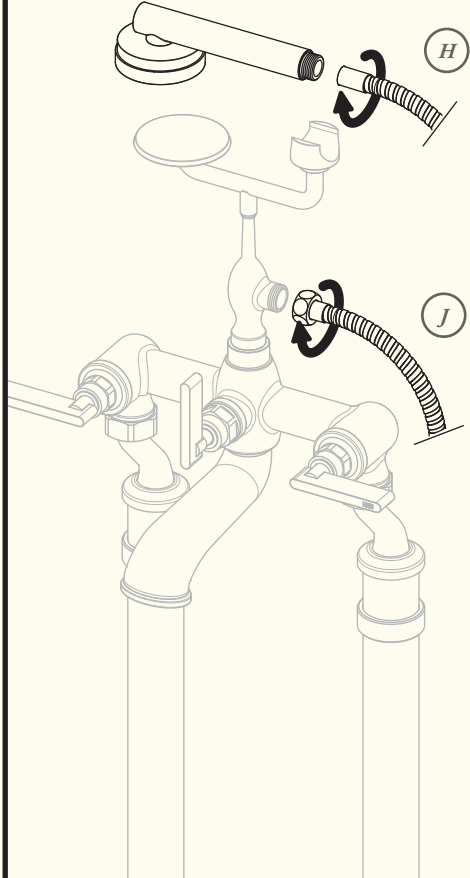
G1" LID

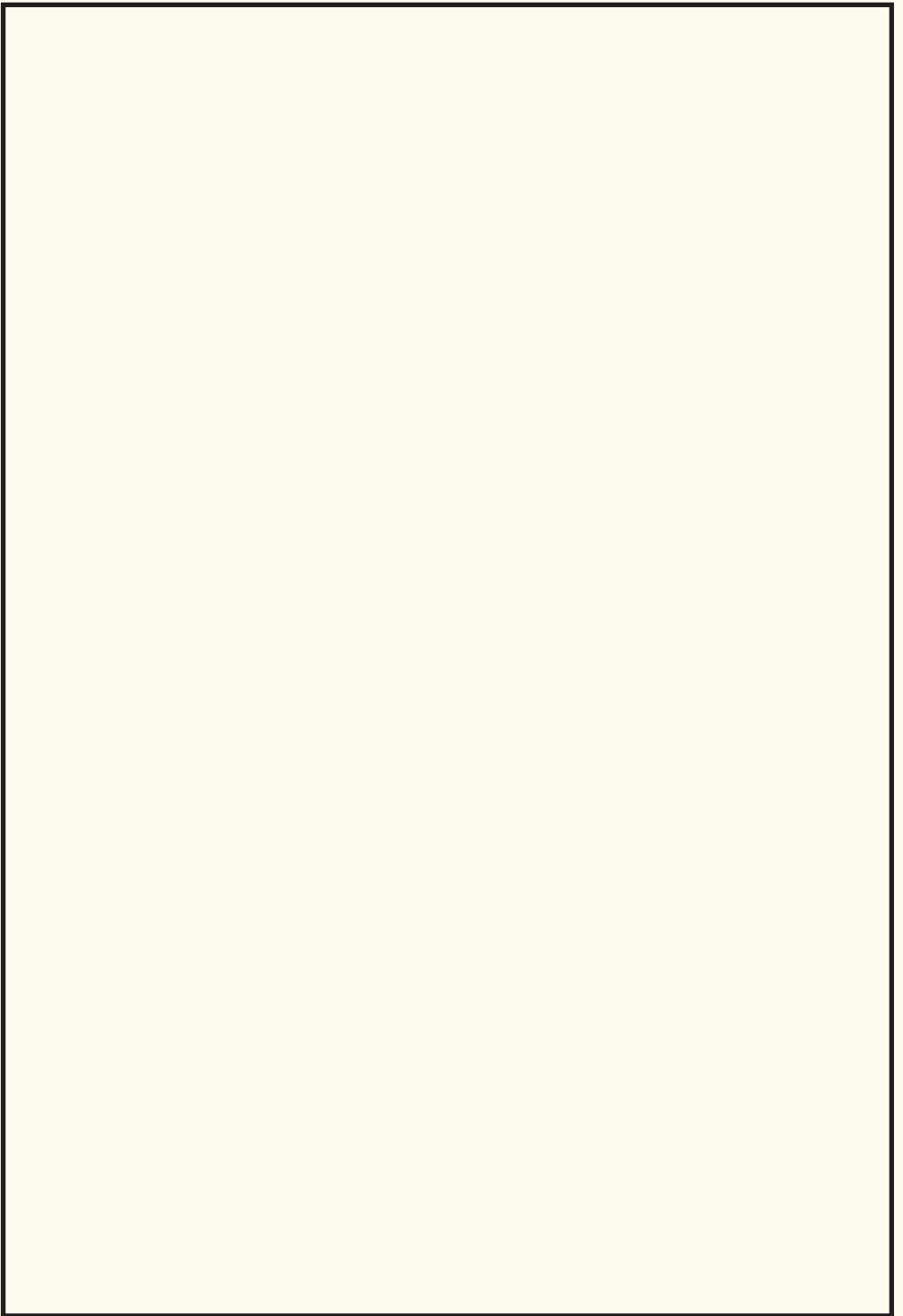


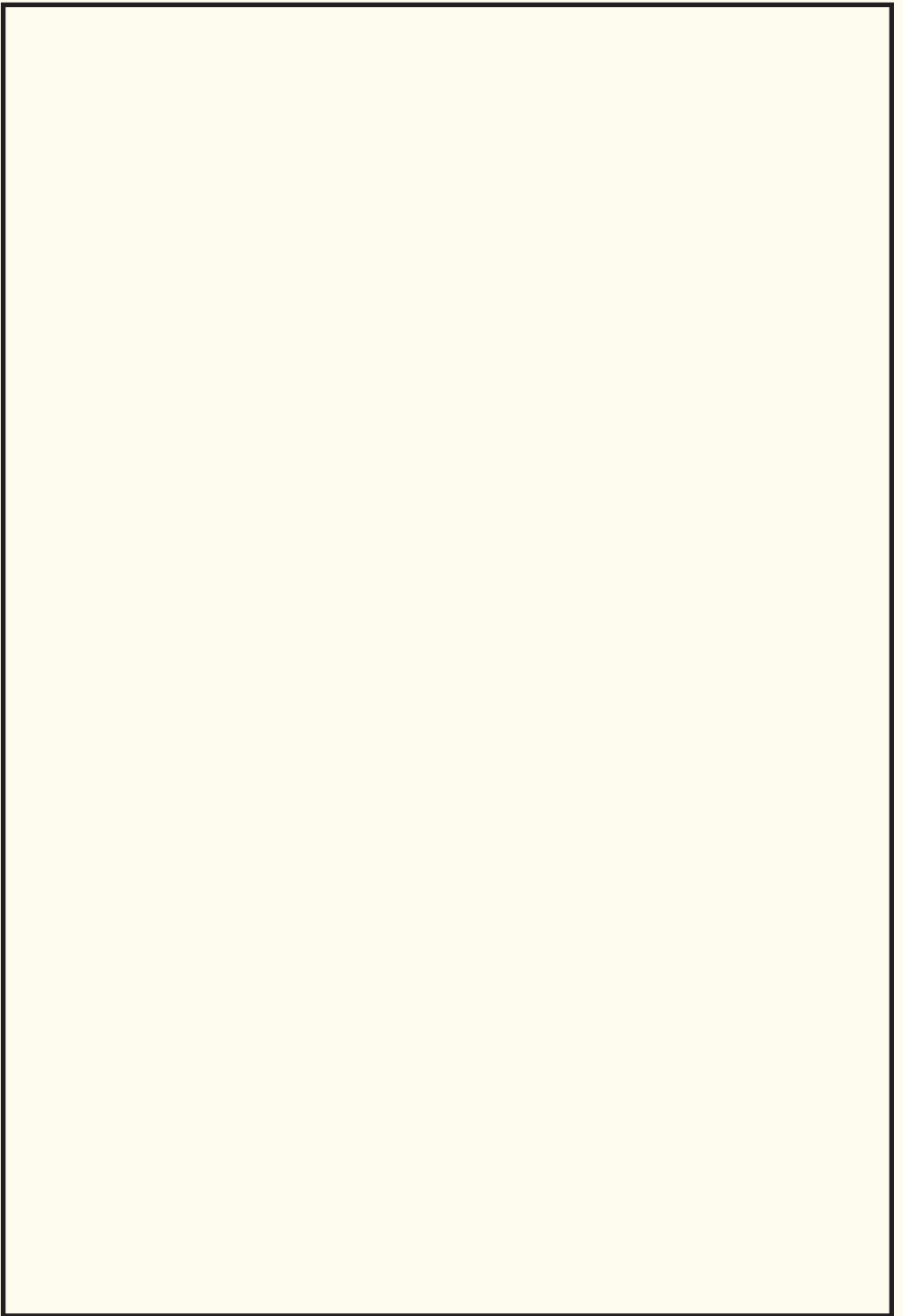
12



13







INSTALLER DETAILS:

ORE