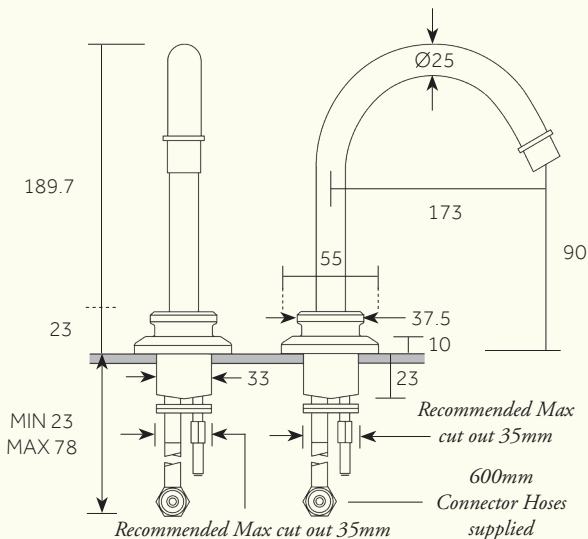


203

Studio/ORE

PRODUCT NAME

Chapter Two - Deck Mounted Bath Spout



Min/Max Operating pressure: (bars)	2.0 - 5.0					
Flow rates: Bar/L per min (with Aerator)	0.5/6	1/8.4	2/11.8	3/14.5	4/16.8	5/18.7
Flow rates: Bar/L per min (without Aerator)	0.5/7.5	1/10.5	2/14.7	3/18	4/20.8	5/23.3
Connection:	3/4" BSP (NPT ADAPTERS ARE INCLUDED)					
Flow Restrictor:	CASCADE M22/24 (22.8-25.2L per min @ 3 bar)					

Dimensions in mm. Further installation instructions available as a downloadable PDF on the product page of our website.