

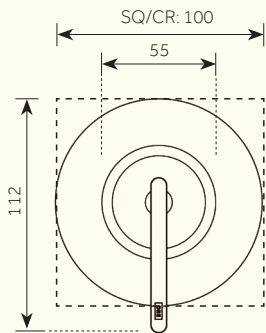
164

PRODUCT NAME

Chapter One - Wall Mounted Shower Mono Mixer with Backplate

INTERNAL FIRST FIX: SHMNIP-V3

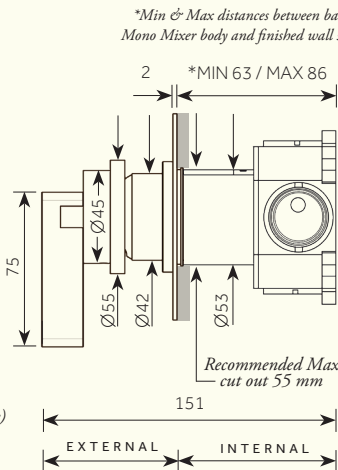
Studio/ORE



Options:

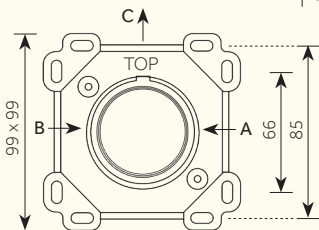
SQ: 100mm (Square Backplate)

CR: 100mm (Circular Backplate)



*Min & Max distances between back of Mono Mixer body and finished wall surface

Recommended Max cut out 55 mm



A: G3/4" Cold Water Inlet

B: G3/4" Hot Water Inlet

C: G3/4" Mixed Water Outlet

For min/max operating pressures, flow rates and connection specifications, please see reverse.

Dimensions in mm. Further installation instructions available as a downloadable PDF on the product page of our website.

164

PRODUCT NAME

Studio/ ORE

**Chapter One - Wall Mounted Shower Mono Mixer
with Backplate**

INTERNAL FIRST FIX: SHMNIP-V3

Min/Max Operating pressure: (bars)	2.0 - 5.0						
Flow rates: Bar/L per min	0.5/11.9	1/16.3	2/22.9	3/27.8	4/32.0	5/35.5	6/38.4
Connection:	1/2" BSP (NPT ADAPTERS ARE INCLUDED)						
Flow Restrictor:	N/A						

For specifications (in mm), please see reverse.

Further installation instructions available as a downloadable PDF on the product page of our website.